

LAB & INDUSTRY EQUIPMENT

BUCH  HOLM



Buch & Holm A/S

Marielundvej 39 • 2730 Herlev • Tlf. +45 44 54 00 00 • e-mail b-h@buch-holm.dk • www.buch-holm.dk
Box 10058 • S-200 43 Malmö • Tel. +46 (0)40 30 50 30 • e-mail b-h@buch-holm.se • www.buch-holm.se

Agilent Dry Scroll Pumps

Sustainable, quiet, oil-free backing vacuum pumps



Agilent Dry Scroll Pumps

Are Agilent scroll pumps really dry?

Yes, and that makes all the difference for research and industrial applications.

Better performance than pumps of similar size

Isolated Dry Pumps (IDP) rapidly pump down to low base pressures, maximizing turbo pump performance and system reliability.

A cleaner environment inside—and outside—your lab

IDP scroll pumps do not use oil, which can spill, leak, or infiltrate the vacuum system. They also eliminate the risk of hydrocarbon contamination in the vacuum system. Perhaps most importantly, IDP scroll pumps reduce pollutants in our air, water, and soil.

Less downtime, lower ownership costs

Unlike traditional pumps that demand hours of scheduled maintenance, IDP scroll pumps require a simple seal replacement that takes about 15 minutes. And even this procedure can be performed infrequently, because Agilent solid tip seals are built to last up to three years.

Dry scroll pumps also eliminate expensive oil topping, changing, and disposal—plus the risk of pump seizure. Even better, you won't have to worry about oil leaks/spills, or hazardous waste disposal of used oil.

Easy installation and integration

With their small footprint, lighter weight, and minimal power requirements, IDP pumps accommodate any system design. They place little burden on utilities, require no special voltage, and are suitable for use inside cabinet enclosures. Agilent IDP scroll pumps also use standard IEC power cords that are not hard-wired to the motor.

A more pleasant workday

The innovative scroll design reduces noise and vibration without using a quiet cover. Plus, there's no hydrocarbon exhaust and no oil mist filter required.

How does the scroll mechanism work?

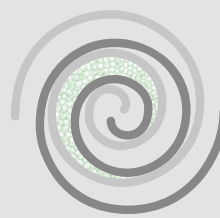
Agilent IDP pumps generate vacuum using a simple dual-scroll mechanism, in which one nested scroll orbits within the other, creating moving zones of captured gas. After the gas enters the scroll set at the perimeter, it is displaced and compressed toward the center hub, where it is exhausted.



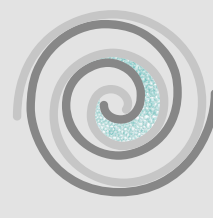
Gas enters scroll set



Gas is displaced and...



...compressed toward center hub



Gas is exhausted at center hub

Table of Contents

Features and Benefits	4-7
Scroll Pumps Typical Applications	8-9
Pump Specifications	10-11
Pump Models	12
Agilent IDP-3	12
Agilent IDP-7	14
Agilent IDP-10	16
Agilent IDP-15	18
Agilent TriScroll 300	20
Agilent TriScroll 600	22
Agilent TriScroll 300 Inverter	24
Agilent TriScroll 600 Inverter	26
About Frequency Inverter-Driven Scroll Pumps	28
Scroll Accessories	30
Exhaust Silencer Kits	30
Vibration Isolation Kits	31
HEPA Filters	32
Exhaust Filter Kits	33
Purge Kits	34
Vacuum Isolation Valve	36
Scroll Pump Service and Support Plans	38-39

Agilent Dry Scroll Pumps

Proven reliability

With over 25,000 Agilent manufactured scroll pumps operating worldwide, Agilent scroll technology has demonstrated exceptional reliability.

IDP series scroll pumps

These pumps employ a single-stage design that delivers a dry vacuum in an economical, reliable package making the pumps ideally suited for many applications, such as analytical instruments and Research and Development.

This simple design uses proven seal technology for longer, demonstrated maintenance intervals.



Single-sided scroll

The IDP series enables quick and easy tip seal changes.

Agilent TriScroll and TriScroll Inverter pumps

These two-stage scroll pumps achieve the lowest ultimate pressure of any dry pump technology in the market today.



Unique TriScroll design

Delivers high pumping speed and achieves low ultimate pressure, within a compact design.

Inverter-driven scroll pumps

These pumps deliver constant pumping speed worldwide, regardless of line frequency. Inverters enable selection of the optimal pumping speed for any application by adjusting the rotational speed of the pump.

A 9-pin D-shell connector allows remote start and stop with contact closure, and the serial interface enables monitoring of the pump parameters and remote start capability.

For more information, see Pages 24-28





IDP-3

IDP-7

IDP-10

IDP-15



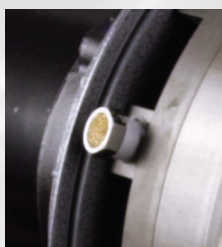
TriScroll 300

TriScroll 600



TriScroll 300
Inverter

TriScroll 600
Inverter



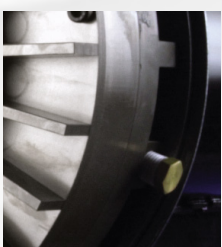
Gas ballast port

Improves tolerance for water vapor and handling of condensable gases for consistent performance.



Hour meter
Standard on IDP series pumps

Gives an accurate measurement of total run time which facilitates maintenance planning.



Bearing purge port
TriScrolls only

Improves tolerance for condensable gases by purging the shaft bearings with dry gas.



Optional inlet
vacuum protection valve

Isolates the pump during vacuum system fault conditions and power loss; prevents contamination of the vacuum system.

Scroll Pumps Features and Benefits

Clean, Quiet, Reliable, and Oil-free.

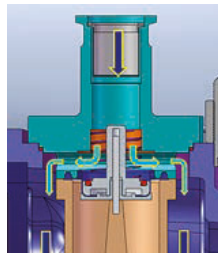
Key IDP scroll pump design features

Fail-safe integral isolation valve prevents accidental contamination

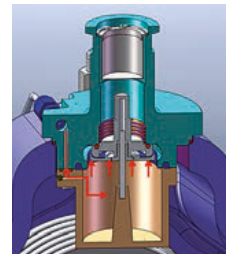
This optional valve protects against backwards migration and sudden venting. It is installed inside the module, adding no extra height to the pump inlet.

Here's how it works:

- Under normal conditions, a spring holds the inlet valve open.
- Upon power loss, the solenoid valve vents a small chamber beneath the valve, which closes the inlet valve (approximately 20 ms).
- Once power is restored, the solenoid closes, the pump evacuates, and the inlet valve opens (approximately 10-30 s).



Vacuum in pump,
inlet valve opens



Pump vents,
inlet valve closes

Recover process gases and prevent toxic gas leaks

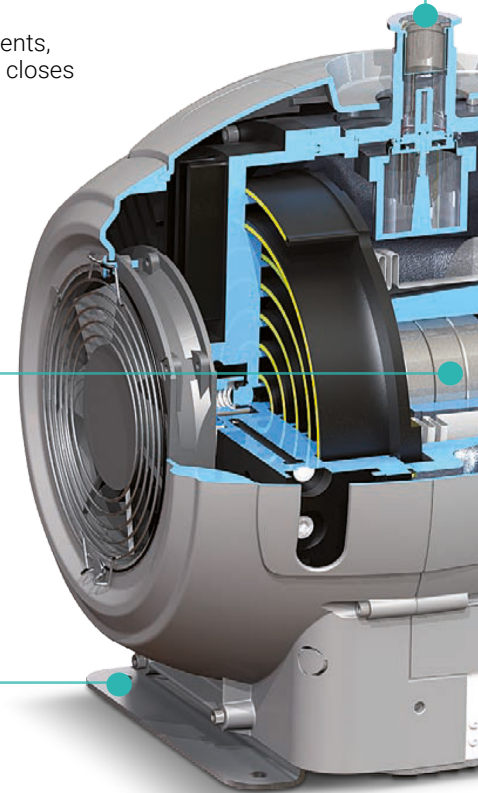
Agilent IDP scroll pumps employ a hermetic design, with the motor and bearings located outside the vacuum space at atmospheric pressure—completely isolating all pumped gases. This closed system, from inlet to exhaust, is particularly well suited for rare gas and helium recirculation applications.

Protect your system from vibration damage

A set of integral vibration isolation feet on the IDP-15 scroll pump dampens module vibration and decouples motor and scroll vibration from the mounting brackets.



Vibration isolators



IDP-15

Hermetically designed IDP pumps eliminate the risk of nonprocess gases entering the vacuum path.

Easy on the ears

When designing our IDP scroll pump module, Agilent consulted with noise experts to ensure quiet operation. Just look at how the Agilent IDP scroll pumps compare with common everyday noises.

Noise	dBA
Chainsaw; thunder clap	120
Car horn (1 m); live rock music	110
Lawn mower; airplane take off (1 km)	100
Motorcycle (8 m away)	90
Freight train (25 m); food blender	80
Cars on freeway; vacuum cleaner	70
Air conditioning (30 m); office noise	60
Agilent IDP-10	53
Agilent IDP-7	52
Conversation at home; Agilent IDP-15	50
Library	40



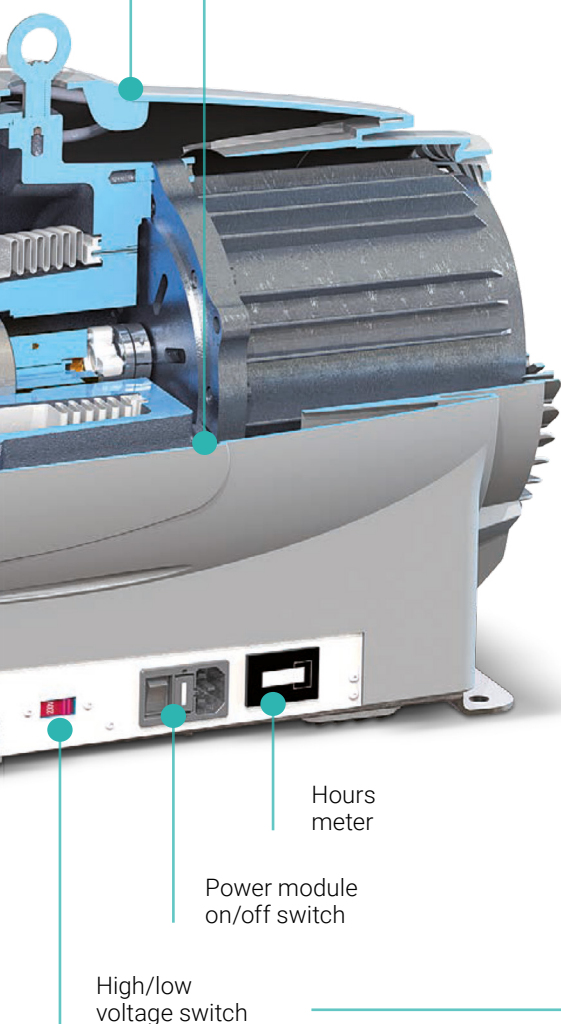
Outer cowling acts as a noise enclosure

Service your pump in less than 15 minutes



Our single-sided scroll design means that you only need to remove the fixed scroll when changing the tip seals. This procedure can be accomplished in about 15 minutes using two basic tools. Even with this simple design, Agilent IDP scroll pumps achieve a low ultimate pressure of 10 mTorr.

Watch our live video to see how easy it is to replace the tip seals: www.agilent.com/chem/idpscrollpumps



Hours meter

Power module on/off switch

High/low voltage switch

Fixed speed motor enables operation around the world

Agilent IDP pump motors (IDP-3, -7, -15) support the following single-phase operating voltages:

- 100 V, 50/60 Hz
- 115 V, 60 Hz
- 220-230 V, 50/60 Hz
- 24 VDC (IDP-3 only)

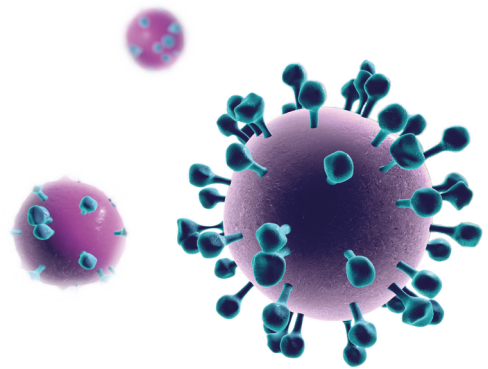
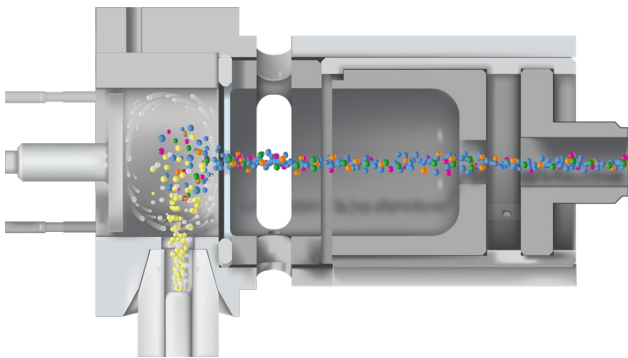
In addition, a simple switch lets you change between high and low voltage use.

Scroll Pumps Typical Applications

Expanded Pumping Speed Options Enable New Application Possibilities

The addition of our IDP-10 and IDP-7 scroll pumps brings Agilent quality and performance to applications such as freeze drying, glove boxes, sample preparation, SEM, and more. They are also ideal for backing a turbo pump and loadlock applications.

Best of all, our full range of pumping speeds lets you optimize your system configuration for maximum performance at the lowest possible cost.



Mass spectrometry

- Oil-free—no messy maintenance, no contamination risk
- Inlet isolation valve protects the turbo pump during power loss
- Quiet operation—no quiet cover required



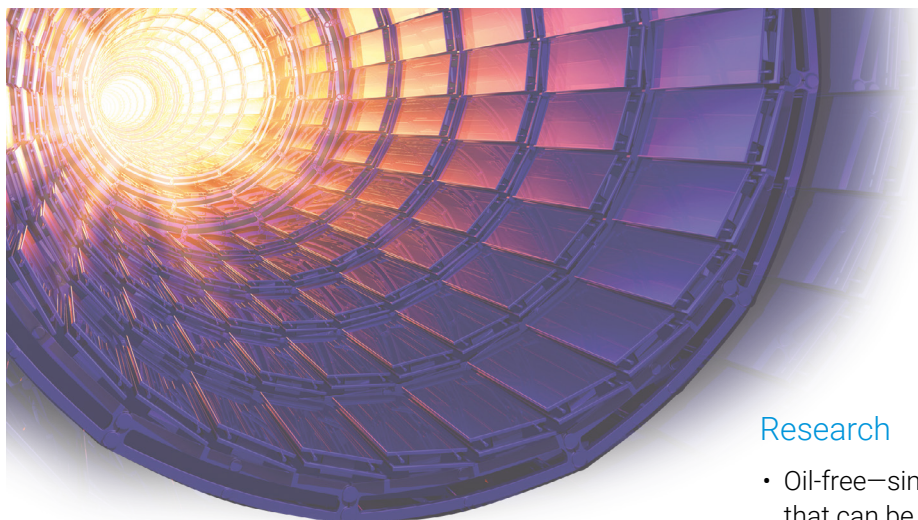
Sample preparation

- Protected bearings enable use with light solvents
- Clean, oil-free vacuum path
- Minimal noise during operation
- Long service life

Electron microscopy

- Very low vibration—no impact on the instrument
- Oil-free—no messy maintenance, no contamination risk
- Inlet isolation valve assures system protection
- Low noise level—appropriate for use in laboratory setting





Research

- Oil-free—simple, clean regular maintenance that can be accomplished quickly with simple tools
- Inlet isolation valve assures system protection
- Quiet operation for workplace comfort
- Long service life

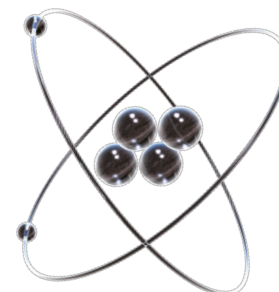


Freeze drying

- Protected bearings provide high tolerance for water vapor
- Gas ballast available to improve water vapor handling capability
- Long service life

Glove box

- Protected bearings provide high tolerance for water vapor
- Long service life



Helium recirculation

- Clean, oil-free vacuum path, no messy maintenance, no contamination risk
- Long service life
- Hermetic design guaranteed to be leak free

Pump Specifications

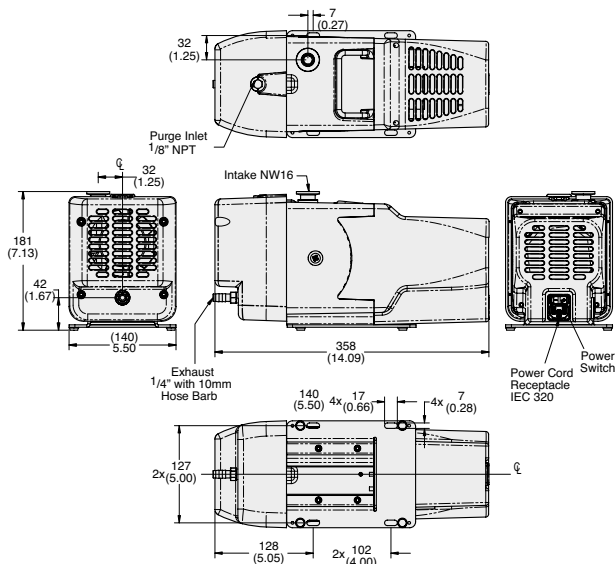
		IDP-3	IDP-7	IDP-10
Pumping speed	60 Hz L/min, m ³ /h 50 Hz L/min, m ³ /h	60, 3.6 50, 3.0	152, 9.1 120, 7.2	170, 10.2 at full speed 170, 10.2 at full speed
Ultimate pressure, mbar (Torr)		3.3 x 10 ⁻¹ (2.5 x 10 ⁻¹)	60 Hz: 2.6 x 10 ⁻² (2.0 x 10 ⁻²) 50 Hz: 4.0 x 10 ⁻² (3.0 x 10 ⁻²)	2.0 x 10 ⁻² (1.5 x 10 ⁻²)
Maximum inlet pressure, atm (psig)		1.0 (0)	1.0 (0)	1.0 (0)
Maximum outlet pressure, atm (psig)		1.4 (6.5)	1.34 (5)	1.34 (5)
Inlet connection		NW16	NW25	NW25
Exhaust connection		¼-inch female NPT (10 mm hose barb provided)	NW16	NW16
Gas ballast		⅜-inch female NPT	⅜-inch female NPT (two positions)	⅜-inch female NPT (two positions)
Motor rating (1 phase), HP (kW)		0.16 (0.12)	0.38 (0.28)	0.50 (0.37)
Operating voltages (610 %)	1Ø 60 Hz 50 Hz 3Ø 60 Hz 50 Hz	100, 115, 220-230 V 100, 220-230 V - - 24 VDC	100-120, 200-240V 100-120, 200-240V - -	100-120, 200-240V 100-120, 200-240V - -
Motor thermal protection		Type U automatic	Type U automatic	Type U automatic
Operating speed	60 Hz (rpm) 50 Hz (rpm)	3200 2600	1725 1425	1900 1350 <i>Variable speed control 63 Hz to 45 Hz</i>
Cooling system		Air-cooled	Air-cooled	Air-cooled
Ambient operating temperature, °C (°F)		5 to 40 (41 to 104)	5 to 40 (41 to 104)	5 to 40 (41 to 104)
Storage temperature, °C (°F)		-20 to 60 (-4 to 140)	-20 to 60 (-4 to 140)	-20 to 60 (-4 to 140)
Weight pump only, kg (lb)		9.5 (21)	24.5 (54)	24.7 (54.5)
Shipping weight, kg (lb)		10.5 (23)	28.1 (62)	28.1 (62)
Noise level (per ISO 11201), dB		55	52	53
Vibration level (per ISO 10816 ⁻¹) mm/s		1.5	7	7



IDP-15	TriScroll 300	TriScroll 600	TriScroll 300 Inverter	TriScroll 600 Inverter
257, 15.4 213, 12.8	250, 15 210, 12.6	500, 30 420, 25.2	250, 15 at full speed 250, 15 at full speed	500, 30 at full speed 500, 30 at full speed
1.3×10^{-2} (1×10^{-2})	1.3×10^{-2} (1×10^{-2})	9.3×10^{-3} (7×10^{-3})	1.3×10^{-2} (1×10^{-2})	9.3×10^{-3} (7×10^{-3})
1.0 (0)	1.0 (0)	1.0 (0)	1.0 (0)	1.0 (0)
1.4 (6.5)	1.1 (1.5)	1.1 (1.5)	1.1 (1.5)	1.1 (1.5)
NW25	NW25	NW40	NW25	NW40
NW16	NW16	NW25	NW16	NW25
¼-inch female NPT (two positions)	¼-inch female NPT	¼-inch female NPT	¼-inch female NPT	¼-inch female NPT
0.75 (0.56)	0.75 (0.56)	1.0 (0.76)	0.67 (0.5)	0.67 (0.5)
100-120, 200-240V 100-120, 200-240V - -	100-115, 200-230 V 100-115, 200-230 V 200-230, 460 V 200-230, 380-415 V	100-115, 200-230 V 100-115, 200-230 V 200-230, 460 V 200-230, 380-415 V	100-115, 200-240 V 100-115, 200-240 V - -	200-240 V 200-240 V - -
Type U automatic	Type U automatic	Type U automatic	Automatic	Automatic
1725 1450	1725 1425	1725 1425	1800 at 62 Hz	1800 at 62 Hz
Air-cooled	Air-cooled	Air-cooled	Air-cooled	Air-cooled
5 to 40 (41 to 104)	5 to 40 (41 to 104)	5 to 40 (41 to 104)	5 to 40 (41 to 104)	5 to 40 (41 to 104)
-20 to 60 (-4 to 140)	-20 to 60 (-4 to 140)	-20 to 60 (-4 to 140)	-20 to 60 (-4 to 140)	-20 to 60 (-4 to 140)
30 (66)	26.4 (57)	32 (70)	26 (57)	31 (68)
54 (118)	34.2 (75)	40 (87)	34 (74)	39 (85)
50 ±2	68	68	Variable with frequency 55 - 68	Variable with frequency 55 - 68
< 9	6.3	6.3	Variable with frequency	Variable with frequency



Agilent IDP-3



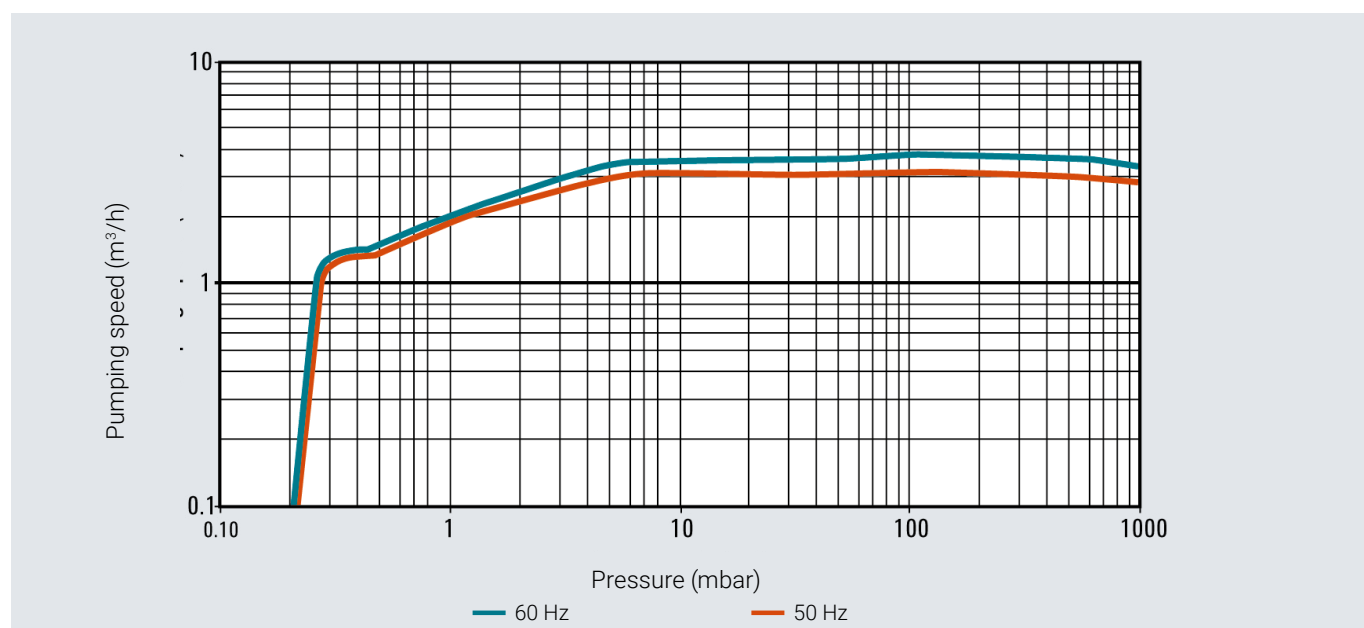
Dimensions: millimeters (inches)

The Agilent IDP-3 dry scroll pump is a compact, high performance, oil-free vacuum pump that is suitable for a wide variety of applications. It is the smallest scroll pump made for general vacuum applications, and weighs only 9.5 kg (21 lb). This makes it easy to integrate into OEM systems. Yet, with a pumping speed of 60 L/m and a very low base pressure of 250 mTorr, it is the highest-performing dry pump in its class.

- Oil-free—no contamination of the vacuum system
- Hermetic design with fully isolated motor and bearings
- Low noise and vibration
- No mechanisms subject to catastrophic failure
- Lower base pressure than diaphragm pumps
- Speed control on 24 VDC motor with 0 to 10 V control signal
- Hour meter is standard on all IDP-3 units

Technical specifications

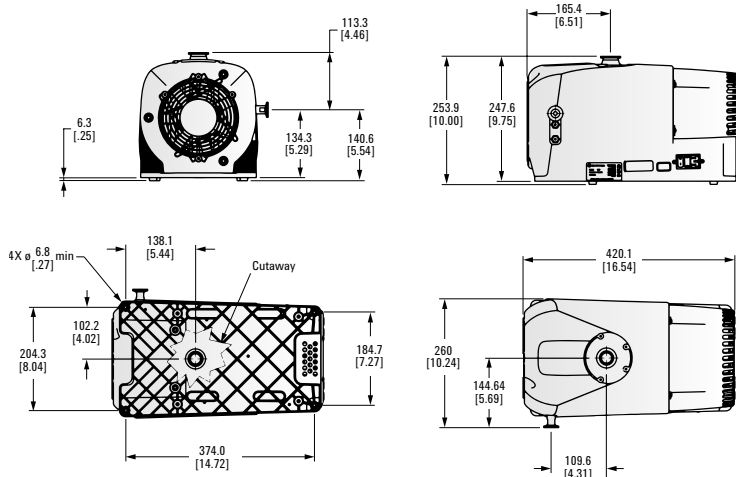
Pumping speed	60 Hz: 60 L/m, 3.6 m ³ /h, 2.1 cfm 50 Hz: 50 L/m, 3.0 m ³ /h, 1.8 cfm
Ultimate pressure	2.5 x 10 ⁻¹ Torr (3.3 x 10 ⁻¹ mbar)
Maximum inlet pressure	1 atm (0 psig)
Maximum outlet pressure	1.4 atm (6.5 psig)
Inlet connection	NW16 flange
Exhaust connection	1/4-inch female NPT (10 mm hose barb provided)
Gas ballast	1/8-inch female NPT (shipped with gas ballast port plug installed; 20 µm sintered filter provided)
Weight	Pump only: 9.5 kg (21 lb) Shipping weight: 10.5 kg (23 lb)
Leak rate	<1 x 10 ⁻⁶ std-cc/s He
Certification	Conforms with CE, CSA, CSA/CUS, semi S2-703, and RoHS
Note: Scroll pumps are not suitable for pumping corrosive, explosive, or particulate-forming gases.	

IDP-3 Pumping Speed–Air/N₂

Ordering information

Description	Part Number
IDP-3 dry scroll vacuum pump, 1Ø, 220 V, 50/60 Hz	IDP3A01
IDP-3 dry scroll vacuum pump, 1Ø, 115 V, 60 Hz	IDP3B01
IDP-3 dry scroll vacuum pump, 1Ø, 100 V, 50/60 Hz	IDP3C01
IDP-3 dry scroll vacuum pump, 24 VDC	IDP3D01
With Inlet Isolation Valve	
IDP-3 dry scroll vacuum pump with inlet isolation valve, 1Ø, 220-230 V, 50/60 Hz	IDP3A21
IDP-3 dry scroll vacuum pump with inlet isolation valve, 1Ø, 115 V, 60 Hz	IDP3B21
IDP-3 dry scroll vacuum pump with inlet isolation valve, 1Ø, 100 V, 50/60 Hz	IDP3C21
IDP-3 dry scroll vacuum pump with inlet isolation valve, 24 VDC	IDP3D21
Power Cords	
Europe, 10 A/220-230 V, 2.5 m	656494220
Denmark, 10 A/220-230 V, 2.5 m	656494225
Switzerland, 10 A/220-230 V, 2.5 m	656494235
UK/Ireland, 13A/230 V, 2.5 m	656494250
India, 10 A/220-250 V, 2.5 m	656494245
Israel, 10 A/230 V, 2.5 m	656494230
Japan, 12 A/100 V, 2.3 m	656494240
North America, 15 A/125 V, 2.0 m	656458203
North America, 10 A/230 V, 2.5 m	656494255
Accessories	
See also the Scroll Accessories section, beginning on Page 30	
Maintenance/Service Parts	
See also the Scroll Service Parts section, beginning on Page 38	

Agilent IDP-7



Dimensions: millimeters (inches)

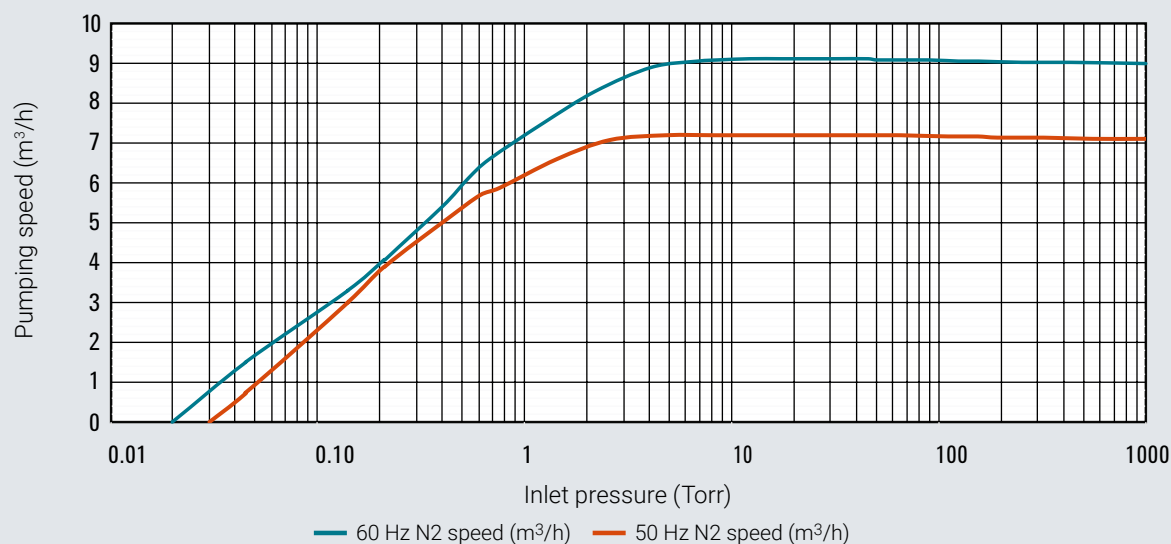
The Agilent IDP-7 dry scroll pump is a compact, high performance, oil-free vacuum pump, delivering a large pumping speed capacity (9.1 m³/h at 60 Hz) and offering a simple maintenance routine.

The hermetic design provides a clean, dry vacuum, with the motor and all bearings completely isolated from the vacuum path. An optional integral inlet protection valve, built into the pump module, is available and adds no extra height to the pump.

- Oil-free—clean, dry
- Rapid pump down, low base pressures
- Simple, infrequent maintenance
- Quiet, low vibration
- Easy installation and system integration

Technical specifications

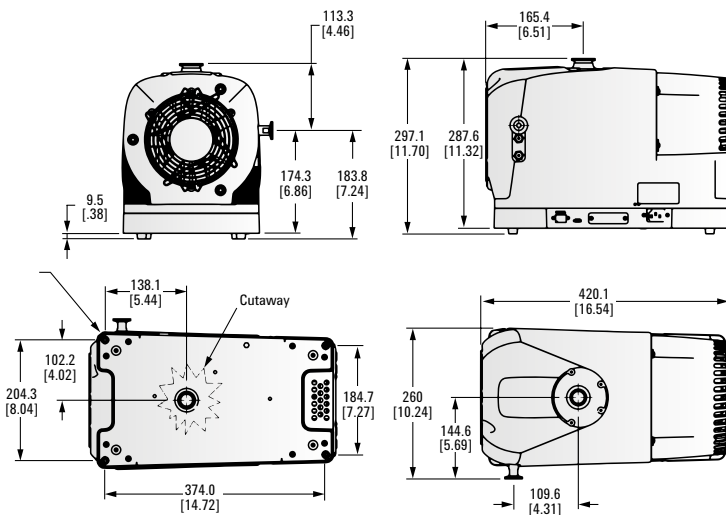
Pumping speed	60 Hz: 152 L/min (9.1 m ³ /h) 50 Hz: 120 L/min (7.2 m ³ /h)
Ultimate pressure	60 Hz: 2.6 x 10 ⁻² mbar (2.0 x 10 ⁻² Torr) 50 Hz: 4.0 x 10 ⁻² mbar (3.0 x 10 ⁻² Torr)
Maximum inlet pressure	1.0 atm (0 psig)
Maximum outlet pressure	1.34 atm (5 psig)
Inlet connection	NW25
Exhaust connection	NW16
Gas ballast	¼-inch female national pipe thread, (20 µm sintered plug provided), SAE-2 5/16-24
Weight	Pump only: 24.5 kg (54 lb), Shipping weight: 28.1 kg (62 lb)
Leak rate (with exhaust sealed)	<1 x 10 ⁻⁶ cc/s (1 x 10 ⁻⁶ mbar L/s)
Certification	EN/IEC 61010 third edition certified
Note: Scroll pumps are not suitable for pumping corrosive, explosive, or particulate-forming gases.	

IDP-7 Pumping Speed–Air/N₂

Ordering information

Description	Part Number
IDP-7 dry scroll vacuum pump	X3807-64000
IDP-7 dry scroll pump with integral vacuum protection inlet valve	X3807-64010
Service Parts	
IDP-7 and IDP-10 tip seal replacement kit	X3807-67000
Accessory Parts	
Exhaust silencer kit	X3807-68003
Purge kit	X3807-68004
Gas ballast kit	X3807-68008
Inlet trap	SCRINTRPNW25
Vibration isolation kit	SH110VIBISOKIT
Power Cords	
Europe, 10 A/220-230 V, 2.5 m	656494220
Denmark, 10 A/220-230 V, 2.5 m	656494225
Switzerland, 10 A/230 V, 2.5 m	656494235
UK/Ireland, 13 A/230 V, 2.5 m	656494250
India, 10 A/220-250 V, 2.5 m	656494245
Israel, 10 A/220-230 V, 2.5 m	656494230
Japan, 12 A/100 V, 2.3 m	656494240
North America, 15 A/125 V, 2.0 m	656458203
North America, 10 A/230 V, 2.5 m	656494255
Accessories	
See also the Scroll Accessories section, beginning on Page 30	
Maintenance/Service Parts	
See also the Scroll Service Parts section, beginning on Page 38	

Agilent IDP-10



Dimensions: millimeters (inches)

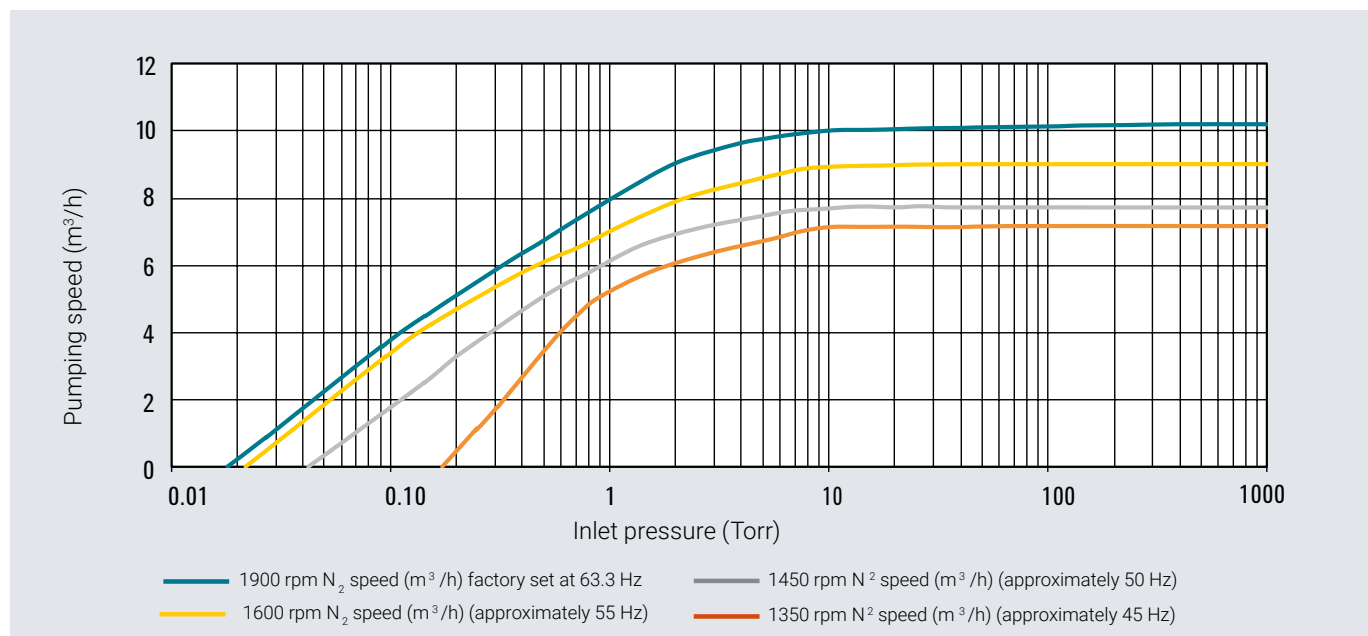
The Agilent IDP-10 dry scroll pump is a compact, high performance, oil-free vacuum pump that is easy to maintain. The inverter-driven motor provides uniform vacuum performance at all global frequencies and input voltages.

The hermetic design, with the motor and all bearings completely isolated from the vacuum path, extends the bearing life and provides a clean, dry vacuum. An optional integral inlet protection valve, built into the pump module, is available and adds no additional height to the pump.

- Oil-free—clean, dry
- Rapid pump down, low base pressures
- Simple, infrequent maintenance
- Quiet, low vibration
- Easy installation and system integration

Technical specifications

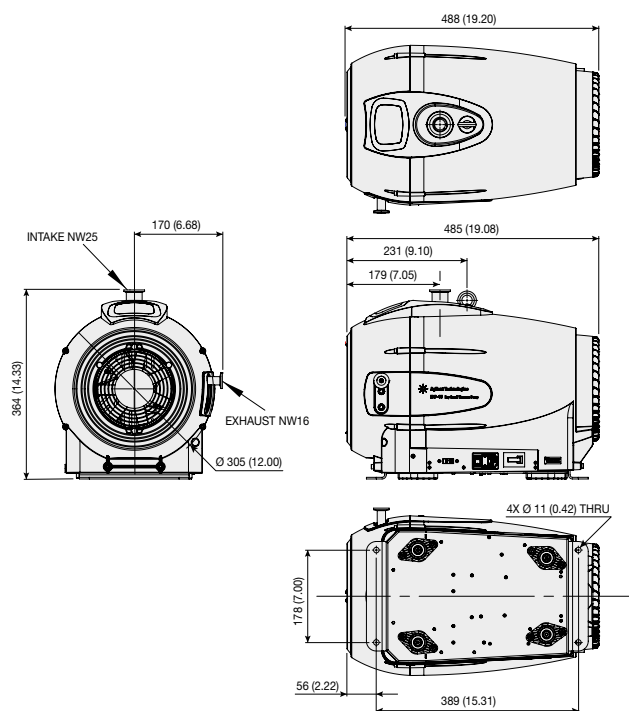
Pumping speed	170 L/min (10.2 m ³ /h) at full speed
Ultimate pressure	2.0 x 10 ⁻² mbar (1.5 x 10 ⁻² Torr)
Maximum inlet pressure	1.0 atm (0 psig)
Maximum outlet pressure	1.34 atm (5 psig)
Inlet connection	NW25
Exhaust connection	NW16
Gas ballast	¼-inch, female national pipe thread, (20 µm sintered plug provided)
Weight	Pump only: 24.74 kg (54.5 lb), Shipping weight: 28.1 kg (62 lb)
Leak rate (with exhaust sealed)	<1 x 10 ⁻⁶ cc/s (1 x 10 ⁻⁶ mbar L/s)
Certification	EN/IEC 61010 third edition certified
Note: Scroll pumps are not suitable for pumping corrosive, explosive, or particulate-forming gases.	

IDP-10 Pumping Speed–Air/N₂

Ordering information

Description	Part Number
IDP-10 dry scroll vacuum pump	X3810-64000
IDP-10 dry scroll vacuum pump with integral vacuum protection inlet valve	X3810-64010
Service Parts	
IDP-7 and IDP-10 tip seal replacement kit	X3807-67000
Accessory Parts	
Exhaust silencer kit	X3807-68003
Purge kit	X3807-68004
Gas ballast kit	X3807-68008
Inlet trap	SCRINTRPNW25
Vibration isolation kit	SH110VIBISOKIT
Power Cords	
Europe, 10 A/220-230 V, 2.5 m	656494220
Denmark, 10 A/220-230 V, 2.5 m	656494225
Switzerland, 10 A/230 V, 2.5 m	656494235
UK/Ireland, 13 A/230 V, 2.5 m	656494250
India, 10 A/220-250 V, 2.5 m	656494245
Israel, 10 A/230 V, 2.5 m	656494230
Japan, 12 A/100 V, 2.3 m	656494240
North America, 15 A/125 V, 2.0 m	656458203
North America, 10 A/230 V, 2.5 m	656494255
Accessories	
See also the Scroll Accessories section, beginning on Page 30	
Maintenance/Service Parts	
See also the Scroll Service Parts section, beginning on Page 38	

Agilent IDP-15



Dimensions: millimeters (inches)

The Agilent IDP-15 scroll pump is a high performance, dry, primary vacuum pump, providing rapid pumpdown at 15.4 m³/h (60 Hz). With a single-sided scroll design, the pump offers long service intervals, fast and simple basic maintenance, and a low cost of ownership over the lifetime of the pump.

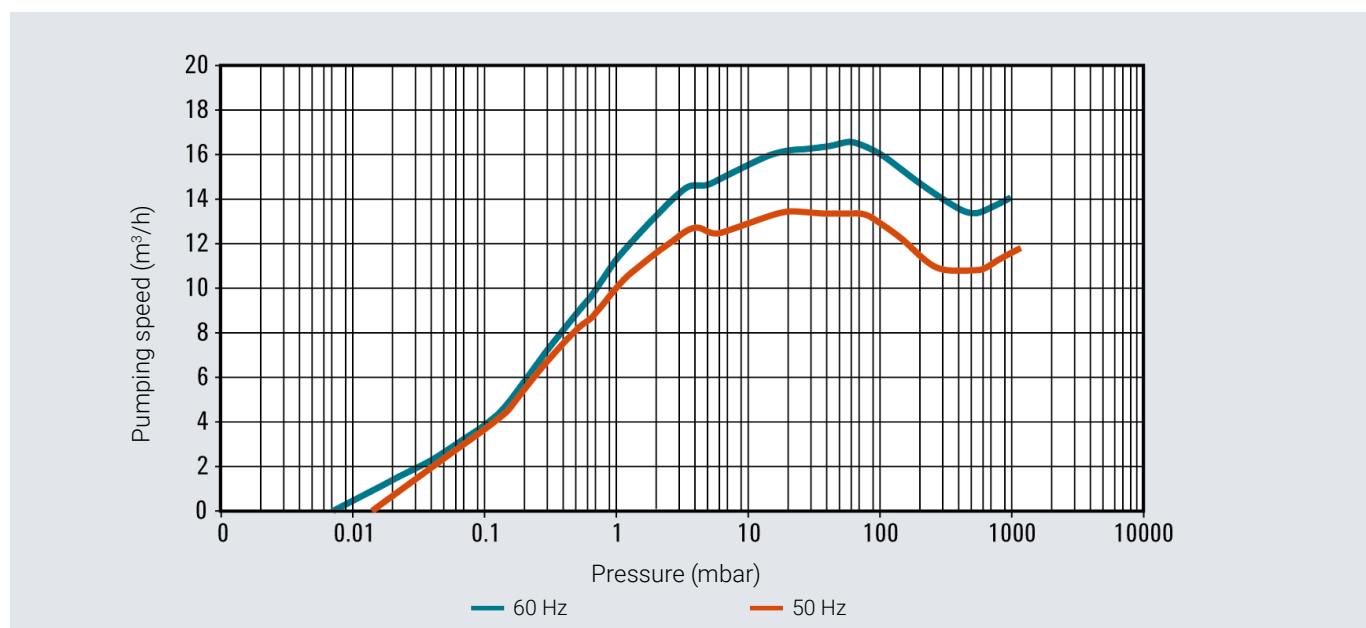
Tip seal service interval is typically two to three years of operation depending on base pressure requirements and customer application.

The pump is hermetic, with the motor and all bearings completely isolated from the vacuum path, and protected from process gases for extended life.

The IDP-15 is exceptionally quiet (50 ± 2 dB) and vibration-free, and is ideal for use in analytical instrument and research applications, as well as many industrial applications.

Technical specifications

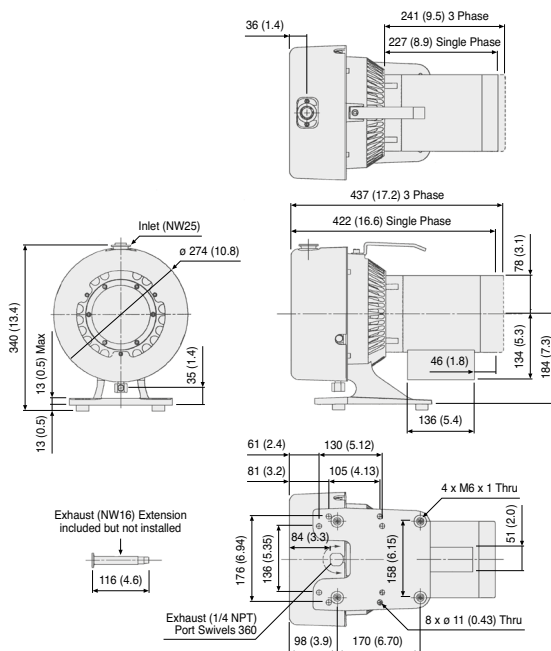
Pumping speed	60 Hz: 256 L/m, 15.4 m ³ /h 50 Hz: 214 L/m, 12.8 m ³ /h
Ultimate pressure	1.3 x 10 ⁻² mbar (1 x 10 ⁻² Torr)
Maximum inlet pressure	1.0 atm (0 psig)
Maximum outlet pressure	6.5 psig
Inlet Connection	NW25
Exhaust Connection	NW16
Gas ballast	¼-inch female NPT (two positions)
Weight	Pump only: 34 kg (75 lb) Shipping weight: 45 kg (100 lb)
Leak rate (with exhaust sealed)	<1 x 10 ⁻⁶ cc/s He
Certification	Conforms with CE, CSA, and RoHS

IDP-15 Pumping Speed–Air/N₂

Ordering information

Description	Part Number
IDP-15 dry scroll vacuum pump	X3815-64000
IDP-15 dry scroll vacuum pump with integral vacuum protection inlet valve	X3815-64010
Service Parts	
IDP-15 tip seal replacement kit	X3815-67000
Spares	
Shipping box set, IDP-15	X3815-67001
Power Cords	
Europe, 10 A/220-230 V, 2.5 m	656494220
Denmark, 10 A/220-230 V, 2.5 m	656494225
Switzerland, 10 A/230 V, 2.5 m	656494235
UK/Ireland, 13 A/230 V, 2.5 m	656494250
India, 10 A/220-250 V, 2.5 m	656494245
Israel, 10 A/220-230 V, 2.5 m	656494230
Japan, 12 A/100 V, 2.3 m	656494240
North America, 15 A/125 V, 2.0 m	656458203
North America, 10 A/230 V, 2.5 m	656494255
Accessories – See also the Scroll Accessories section beginning on Page 30	
Inlet trap, NW25, HEPA	SCRINTRPNW25
Exhaust muffler with NW16 fitting	X3815-68003
Maintenance/Service Parts	
See also the Scroll Service Parts section beginning on Page 38	

Agilent TriScroll 300



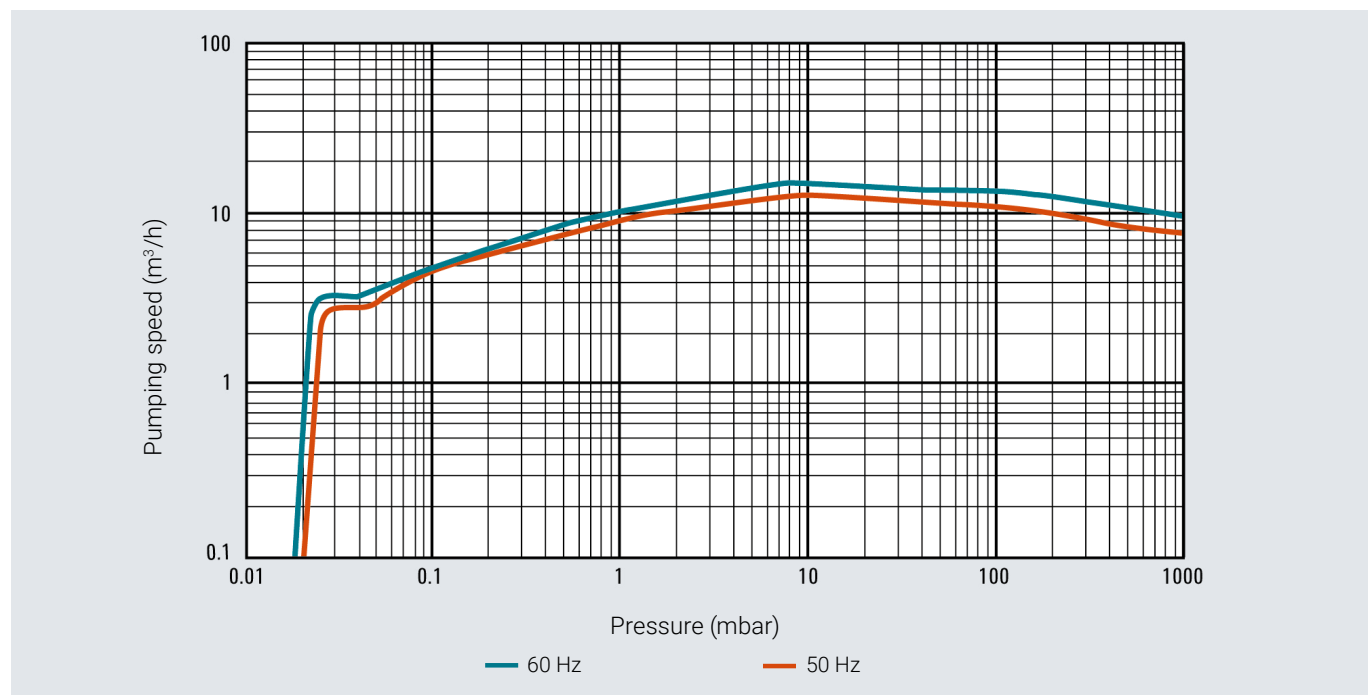
Dimensions: millimeters (inches)

The TriScroll series is a range of two-stage dry scroll pumps that have high pumping speeds and low base pressure. TriScroll pumps eliminate the frequent maintenance requirements of oil-sealed rotary vane pumps, simplifying regulatory and environmental compliance, and eliminating oil disposal costs. The unique, patented TriScroll pump offers proven reliability and durability, delivering consistent performance and superior cost of ownership.

- High pumping speeds and low ultimate pressure provide a clean, dry vacuum
- Long-life tip seals routinely last more than a year before replacement
- Bearing purge port permits simple maintenance and delivers long bearing life
- Automatic air ballast manages water vapor without reducing pumping speed

Technical specifications

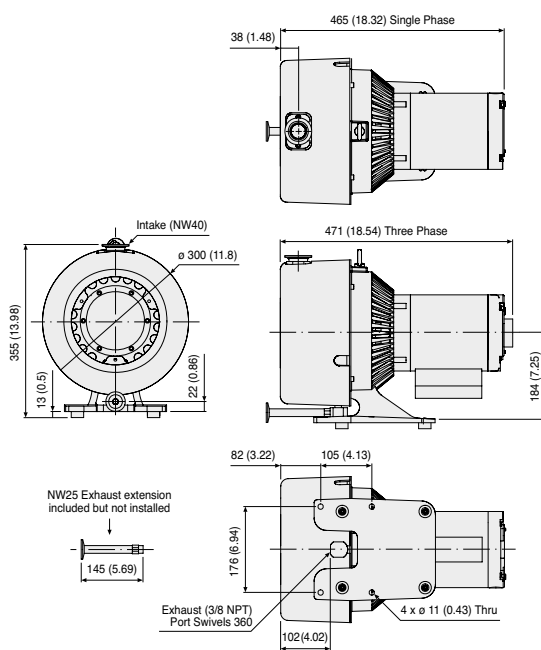
Pumping speed	60 Hz: 250 L/m, 15 m ³ /h, 8.8 cfm 50 Hz: 210 L/m, 12.6 m ³ /h, 7.4 cfm
Ultimate pressure	1.3 x 10 ⁻² mbar (1 x 10 ⁻² Torr)
Maximum inlet pressure	1.0 atm (1.0 psig)
Maximum outlet pressure	1.1 atm (1.5 psig)
Inlet connection	NW25
Exhaust connection	1/4-inch female NPT with swivel (NW16 adapter provided)
Gas ballast	1/8-inch female NPT (shipped with 40 µm filter installed; port plug also provided)
Operating voltages	1Ø models: 50-60 Hz/100-115, 200-230 VAC 3Ø models: 50 Hz/200-230, 380-415 VAC; 60 Hz/200-230, 460 VAC
Weight	Pump only: 26.4 kg (58 lb) Shipping weight: 34.2 kg (75 lb)
Certification	CE, CSA, and RoHS
Note: Scroll pumps are not suitable for pumping corrosive, explosive, or particulate-forming gases.	

TriScroll 300 Pumping Speed – Air/N₂

Ordering information

Description	Part Number
TriScroll 300 dry scroll vacuum pump, 1Ø motor, U.S. cord	PTS03001UNIV
TriScroll 300 dry scroll vacuum pump 1Ø motor, Euro cord	PTS03001UNIVEU
TriScroll 300 dry scroll vacuum pump, 1Ø motor, UK cord	PTS03001UNIVUK
TriScroll 300 dry scroll vacuum pump 3Ø motor	PTS03003UNIV
TriScroll 300, 1Ø, with vacuum isolation valve (VPI), 120 V	PTS03001UVPI*
TriScroll 300, 1Ø, with VPI, 220 V, EU power cord	PTS03001UVPIEU
TriScroll 300, 1Ø, with VPI, 220 V, UK power cord	PTS03001UVPIUK
TriScroll 300, 3Ø, with VPI, 200 V	PTS03003200VPI
TriScroll 300, 3Ø, with VPI, 230 V	PTS03003230VPI
TriScroll 300, 3Ø, with VPI, 380/415 V	PTS03003380415VPI
TriScroll 300, 3Ø, with VPI, 460 V	PTS03003460VPI
TriScroll 300 exhaust extension	S4707002
* Contact Agilent for other voltages	
Accessories	
See also the Scroll Accessories section, beginning on Page 30	
Maintenance/Service Parts	
See also the Scroll Service Parts section, beginning on Page 38	

Agilent TriScroll 600



Dimensions: millimeters (inches)

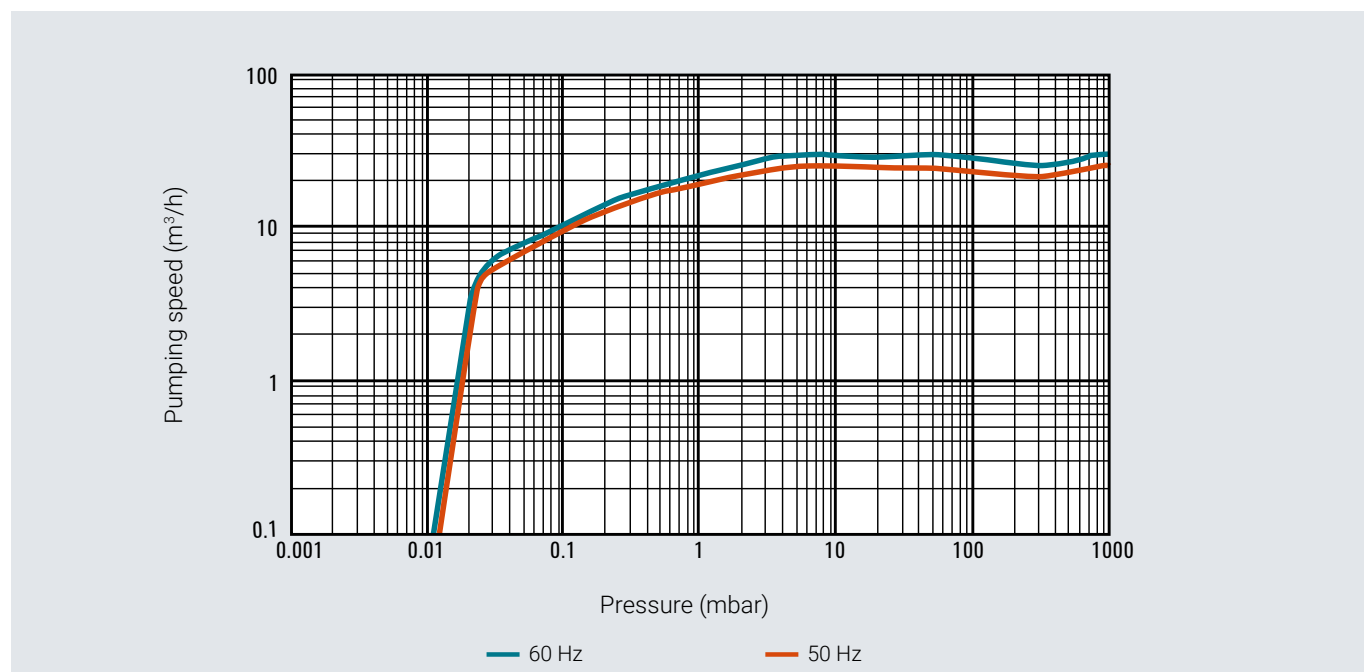
The TriScroll series is a range of two-stage dry scroll pumps that have high pumping speeds and low base pressure. TriScroll pumps eliminate the frequent maintenance requirements of oil-sealed rotary vane pumps, simplifying regulatory and environmental compliance, and eliminating oil disposal costs.

The unique, patented TriScroll pump offers proven reliability and durability, delivering consistent performance and superior cost of ownership.

- High pumping speeds and low ultimate pressure provide clean, dry vacuum
- Long-life tip seals routinely last more than a year before replacement
- Bearing purge port permits simple maintenance and delivers long bearing life
- Automatic air ballast manages water vapor without reducing pumping speed

Technical specifications

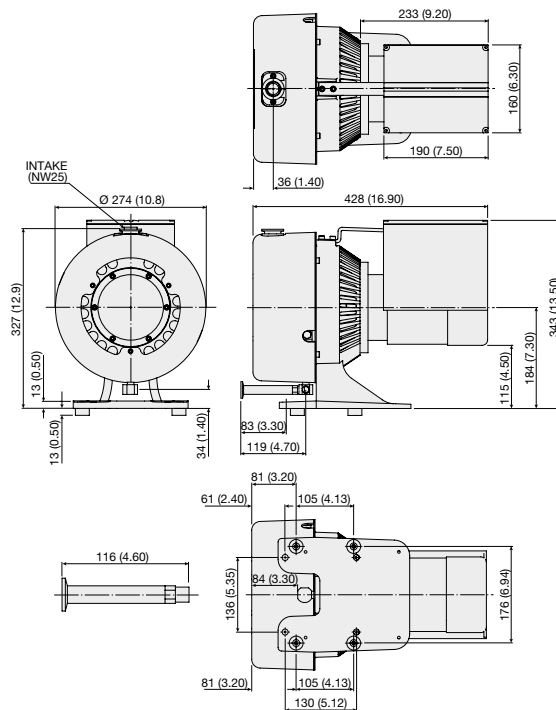
Pumping speed	60 Hz: 500 L/m 30 m ³ /h, 17.7 cfm 50 Hz: 420 L/m, 25.2 m ³ /h, 14.8 cfm
Ultimate pressure	9.3 x 10 ⁻³ mbar (7.0 x 10 ⁻³ Torr)
Maximum inlet pressure	1.0 atm (0 psig)
Maximum outlet pressure	1.1 atm (1.5 psig)
Inlet connection	NW40
Exhaust connection	3/8-inch female NPT with swivel (NW25 adapter provided)
Gas ballast	1/4-inch female NPT (shipped with 40 µm filter installed; port plug also provided)
Operating voltages	1Ø models: 50-60 Hz/100-115, 200-230 VAC 3Ø models: 50 Hz/200-230, 380-415 VAC; 60 Hz/200-230, 460 VAC
Weight	Pump only: 32 kg (70 lb) Shipping weight: 40 kg (87 lb)
Certification	CE, CSA, and RoHS
Note: Scroll pumps are not suitable for pumping corrosive, explosive, or particulate-forming gases.	

TriScroll 600 Pumping Speed – Air/N₂

Ordering information

Description	Part Number
TriScroll 600 dry scroll vacuum pump, 1Ø motor	PTS06001UNIV
TriScroll 600 dry scroll vacuum pump, 1Ø motor, Euro cord	PTS06001UNIVEU
TriScroll 600 dry scroll vacuum pump, 1Ø motor, UK cord	PTS06001UNIVUK
TriScroll 600 dry scroll vacuum pump, 3Ø phase motor	PTS06003UNIV
TriScroll 600, 1Ø, with vacuum isolation valve (VPI), 120 V	PTS06001UVPI*
TriScroll 600, 1Ø, with VPI, 220 V, EU power cord	PTS06001UVPIEU
TriScroll 600, 1Ø, with VPI, 220 V, UK power cord	PTS06001UVPIUK
TriScroll 600, 3Ø, with VPI, 200 V	PTS06003200VPI
TriScroll 600, 3Ø, with VPI, 230 V	PTS06003230VPI
TriScroll 600, 3Ø, with VPI, 380/415 V	PTS06003380415VPI
TriScroll 600, 3Ø, with VPI, 460 V	PTS06003460VPI
TriScroll 600 exhaust extension	S4807001
* Contact Agilent for other voltages	
Accessories	
See also the Scroll Accessories section beginning on Page 30	
Maintenance/Service Parts	
See also the Scroll Service Parts section beginning on Page 38	

Agilent TriScroll 300 Inverter



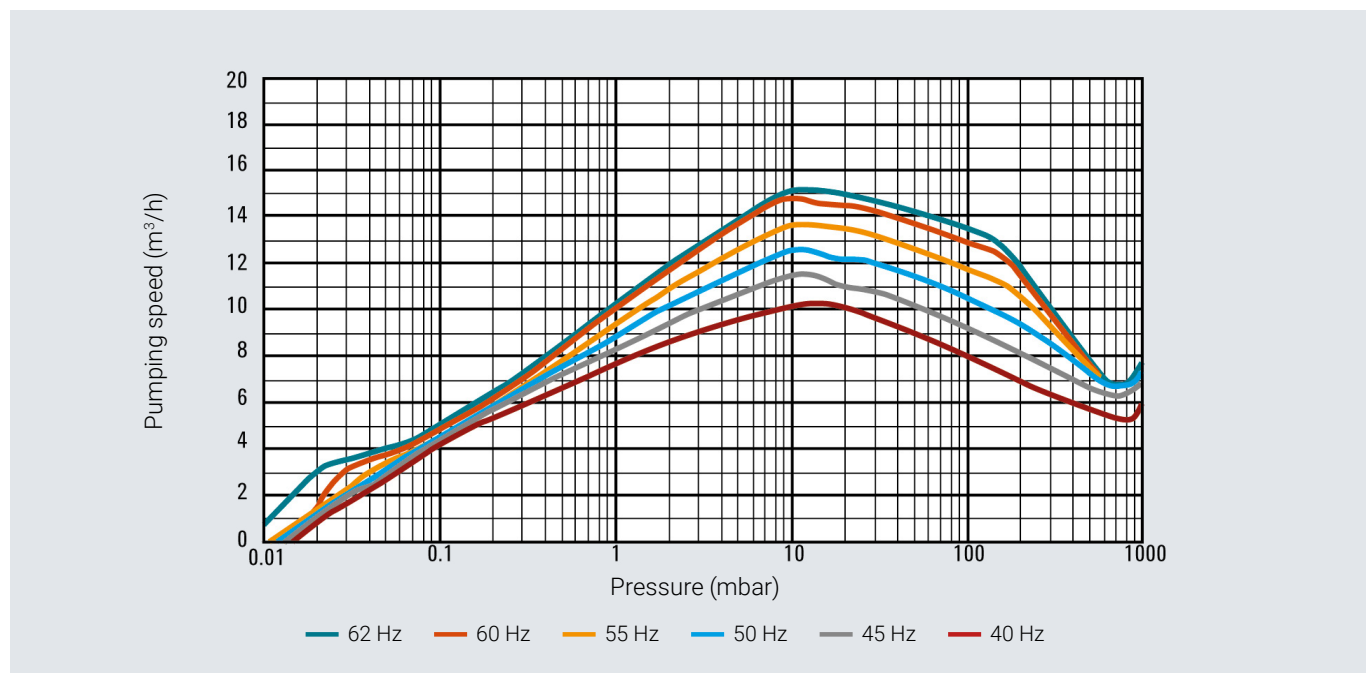
Dimensions: millimeters (inches)

TriScroll Inverter pumps apply the benefits of frequency inverter technology to the performance of Agilent TriScroll dry primary vacuum pumps. TriScroll pumps eliminate the frequent maintenance requirements of oil-sealed rotary vane pumps, simplifying regulatory and environmental compliance, and eliminating oil disposal costs.

- Constant pumping speed worldwide, regardless of line frequency
- Optimal pumping speed selection, adjusting the rotational speed of the pump, using RS-232 or 0 to 10 V control signal
- Monitoring of pump parameters using serial interface
- Remote start/stop with a contact closure made possible by a standard D-shell connector
- Optimal rotational speed selection reduces noise and vibration levels in the work area, with little loss in base pressure performance of the pump

Technical specifications

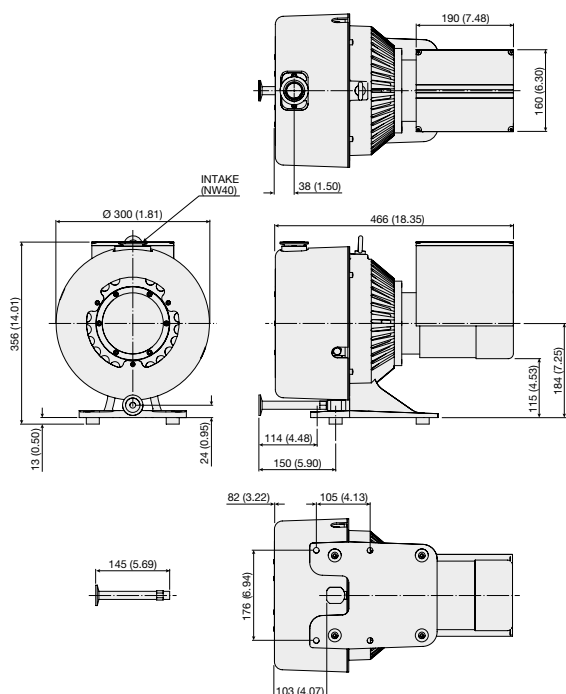
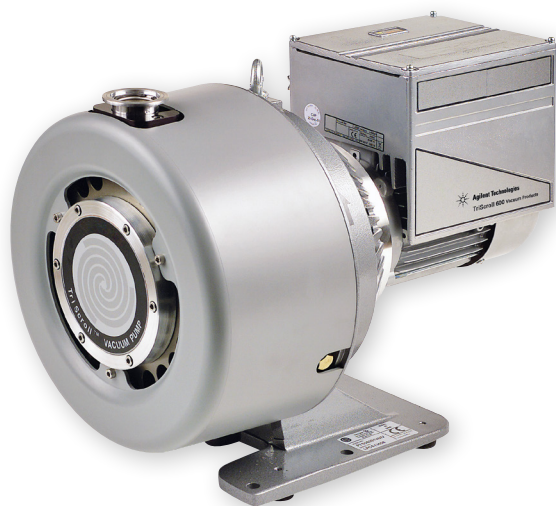
Pumping speed at 60 Hz	250 L/m, 15 m ³ /h, 8.8 cfm (at 60 Hz drive frequency, variable)
Ultimate pressure	1.3 x 10 ⁻² mbar (1.0 x 10 ⁻² Torr)
Maximum inlet pressure	1.0 atm (0 psig)
Maximum outlet pressure	1.1 atm (1.5 psig)
Inlet connection	NW25
Exhaust connection	¼-inch female NPT with swivel (NW16 adapter provided)
Gas ballast	¼-inch female NPT (shipped with 40 µm filter installed; port plug also provided)
Operating voltages	100-115 V, 200-240 V, 1Ø, 50/60 Hz
Maximum line current	200 V; 5 A 240 V; 4.2 A
Weight	Pump only: 26 kg (57 lb) Shipping weight: 34 kg (74 lb)
Certification	CE, CSA, and RoHS
Note: Scroll pumps are not suitable for pumping corrosive, explosive, or particulate-forming gases.	

TriScroll 300 Inverter Pumping Speed – Air/N₂

Ordering information

Description	Part Number
TriScroll 300 dry scroll vacuum pump, 1Ø motor, 100-240 V	PTS03001INV
Power Cord Selection	
Europe, 10 A/220-230 V, 2.5 m	656494220
Denmark, 10 A/220-230 V, 2.5 m	656494225
Switzerland, 10 A/230 V, 2.5 m	656494235
UK/Ireland, 13 A/230 V, 2.5 m	656494250
India, 10 A/220-250 V, 2.5 m	656494245
Israel, 10 A/220-230 V, 2.5 m	656494230
Japan, 12 A/100 V, 2.3 m	656494240
North America, 15 A/125 V, 2.0 m	656458203
North America, 10 A/230 V, 2.5 m	656494255
Accessories	
See also the Scroll Accessories section beginning on Page 30	
Maintenance/Service Parts	
See also the Scroll Service Parts section beginning on Page 38	

Agilent TriScroll 600 Inverter



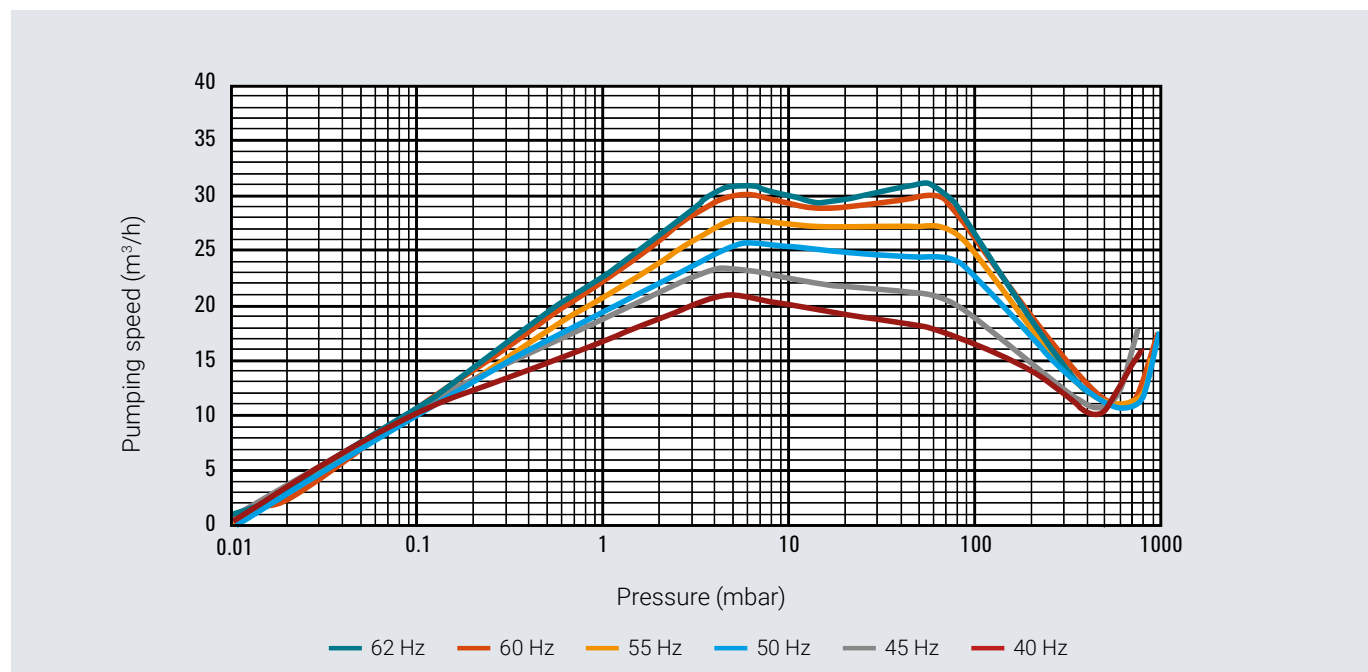
Dimensions: millimeters (inches)

TriScroll Inverter pumps apply the benefits of frequency inverter technology to the performance of Agilent TriScroll dry primary vacuum pumps. TriScroll pumps eliminate the frequent maintenance requirements of oil-sealed rotary vane pumps, simplifying regulatory and environmental compliance, and eliminating oil disposal costs.

- Constant pumping speed worldwide regardless of line frequency
- Optimal pumping speed selection, adjusting the rotational speed of the pump, using RS-232 or 0 to 10 V control signal
- Monitoring of pump parameters using serial interface
- Remote start/stop with a contact closure made possible by a standard D-shell connector
- Optimal rotational speed selection reduces noise and vibration levels in the work area, with little loss in base pressure performance of the pump

Technical specifications

Pumping speed at 60 Hz	500 L/m, 30 m ³ /h, 17.7 cfm (at 60 Hz drive frequency, variable)
Ultimate pressure	9.3 x 10 ⁻³ mbar (7.0 x 10 ⁻³ Torr)
Maximum inlet pressure	1.0 atm (0 psig)
Maximum outlet pressure	1.1 atm (1.5 psig)
Inlet connection	NW40
Exhaust connection	3/8-inch female NPT with swivel (NW25 adapter provided)
Gas ballast	1/4-inch female NPT (shipped with 40 µm filter installed; port plug also provided)
Operating voltages	200-240 V, 1 \varnothing , 50/60 Hz
Maximum line current	200 V; 5 A 240 V; 4.2 A
Weight	Pump only: 31 kg (68 lb) Shipping weight: 39 kg (85 lb)
Certification	CE, CSA, and RoHS
Note: Scroll pumps are not suitable for pumping corrosive, explosive, or particulate-forming gases.	

TriScroll 600 Inverter Pumping Speed – Air/N₂

Ordering information

Description	Part Number
TriScroll 600 dry scroll vacuum pump, 1Ø, 200-240 V	PTS06001INV
Power Cord Selection	
Europe, 10 A/220-230 V, 2.5 m	656494220
Denmark, 10 A/220-230 V, 2.5 m	656494225
Switzerland, 10 A/230 V, 2.5 m	656494235
UK/Ireland, 13 A/230 V, 2.5 m	656494250
India, 10 A/220-250 V, 2.5 m	656494245
Israel, 10 A/230 V, 2.5 m	656494230
North America, 10 A/230 V, 2.5 m	656494255
Accessories	
See the Scroll Accessories section beginning on Page 30	
Maintenance/Service Parts	
See the Scroll Service Parts section beginning on Page 38	

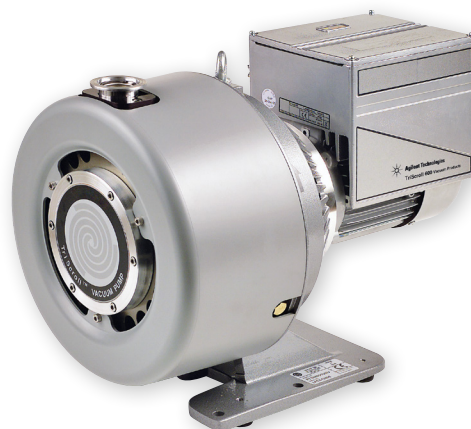
About Frequency Inverter-Driven Scroll Pumps

The application of innovative variable frequency inverter technology to dry scroll pumps provides significant advantages over conventional vacuum pumps. The inverter-driven TriScroll 300, 600, and IDP-10 pumps deliver optimal and consistent performance across worldwide voltages and frequency conditions.

Operating with low power requirements, the microprocessor-controlled frequency inverter is an efficient driving unit, capable of delivering high starting torque and constant pump performance.



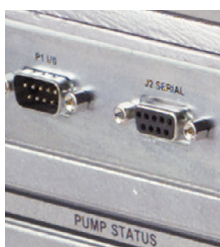
Agilent TriScroll 300 Inverter



Agilent TriScroll 600 Inverter



Agilent IDP-10



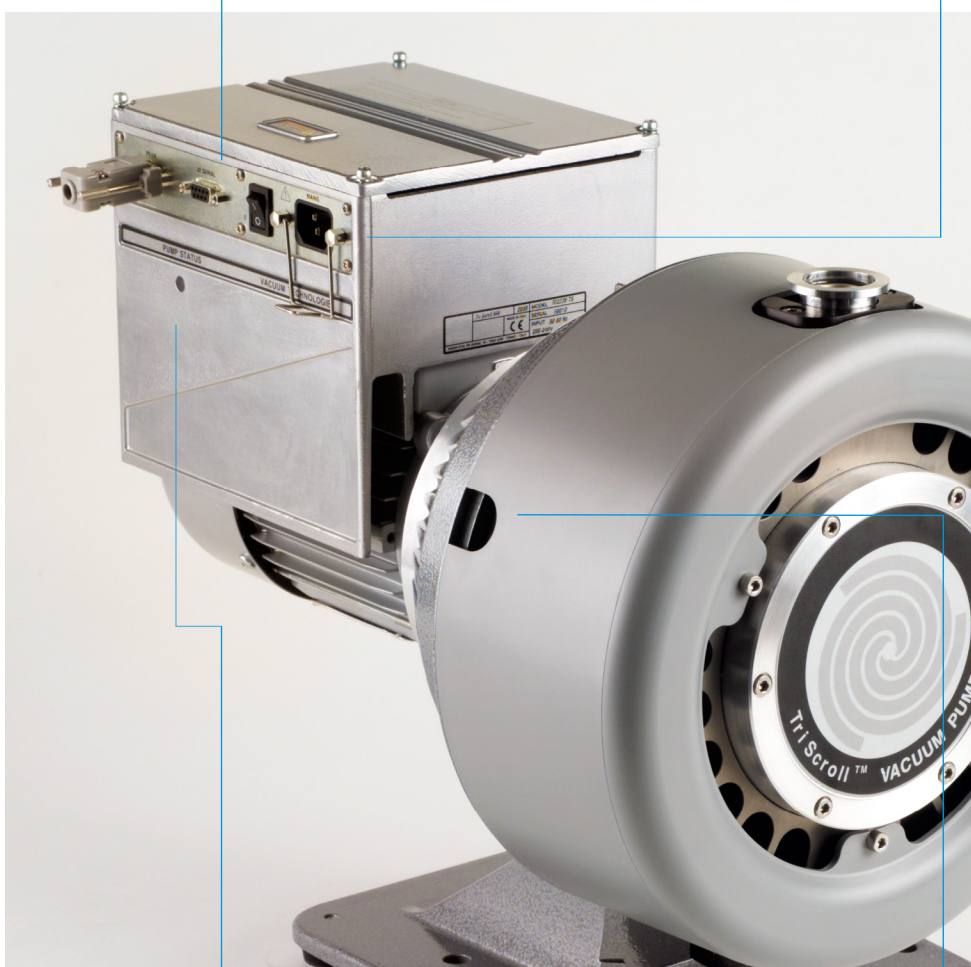
I/O and RS-232/RS-485 communication

Adjustable motor speed from 35 to 65 Hz permits easy matching of pumping speed and reduces noise levels. Pump performance can be tailored to specific applications to optimize system performance.



Universal input voltage

The universal single-phase voltage and frequency provide worldwide compatibility and constant performance at different input frequencies.



Remote diagnostics

Fully compatible with Agilent A-PLUS software, the RS-232/485 interface allows data acquisition and control of pump operations, including pumping speed.



Reduced power requirements

Inverter technology reduces the power required compared to traditional single-phase motors.

Exhaust Silencer and Vibration Isolation Kits

Exhaust Silencer Kits

Exhaust silencer kits are designed for applications where the sound level produced by the work of gas compression needs to be diminished.

An exhaust silencer is not necessary in situations where the exhaust is carried away in a ducted manifold because, in that case, the noise level is typically the same as when a local silencer is used.

Exhaust silencers work by breaking up noise pulsation in the discharge line. The kits contain two basic components, as well as installation hardware.

1. The exhaust muffler filter, which provides the majority of actual noise reduction.
2. An optional silencer can be connected to the exhaust of the pump as well. It weakens certain frequencies associated with the exhaust gas pulsation noise. The silencer is then attached to the exhaust muffler.



IDP-3 with muffler



TriScroll with muffler

Exhaust kit installed

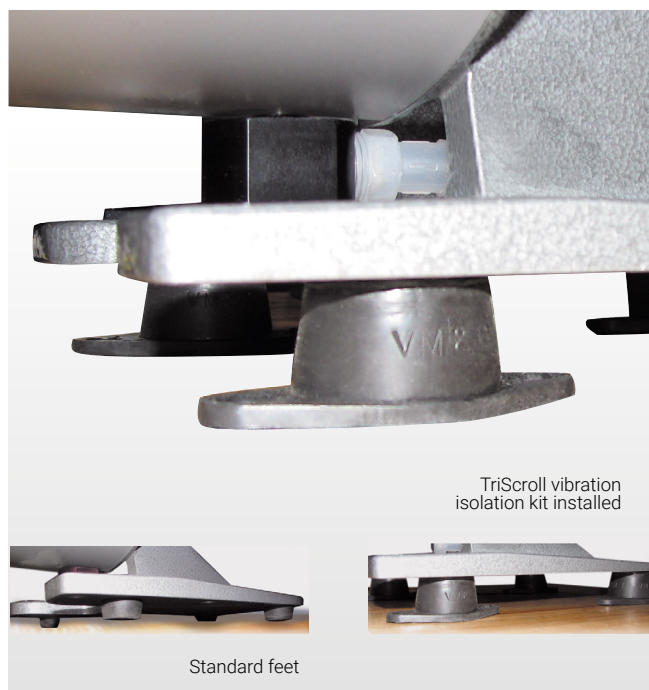
Ordering information

Description	Part Number
Exhaust silencer kit for IDP-3	EXSLRIDP3
Exhaust silencer kit for IDP-7 and IDP-10	X3807-68003
Exhaust silencer kit for TriScroll	EXSLRTRISCROLL
Exhaust silencer kit for IDP-15	X3815-68003
Exhaust muffler for IDP-15 with NW16 fitting	X3815-68003
Exhaust muffler for IDP-7 and IDP-10	EXSLRSH110

Vibration Isolation Kits

Vibration isolation kits are designed to reduce the vibration level transmitted at the base of the scroll pump. The set of vibration isolation mounts provided in the kit will be most beneficial in applications that require minimal vibration transmission from the pump to the installation. The isolation mounts replace the standard feet and can be used alone or with flexible bellows at the pump inlet to enhance pump isolation.

Note: The mounts will increase the height of the TriScroll pumps by 0.75 in compared to the standard mounting feet supplied with the pump.



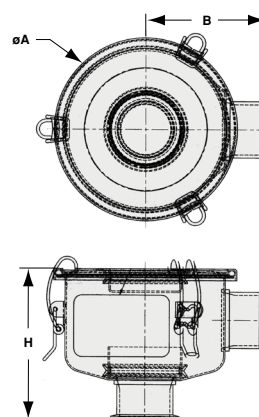
Vibration isolation kit installed

Ordering information

Description	Part Number
Vibration isolation kit for IDP-3	IDP3VIBISOKIT
Vibration isolation kit for the IDP-7 and IDP-10	SH110VIBISOKIT
Vibration isolation kit for TriScroll	PTSVIBISOKIT
Note: The IDP-15 has integral vibration isolation.	

HEPA Filters

HEPA Inlet Filters



Dimensions: millimeters (inches)

Agilent Inlet HEPA filters for scroll pumps protect the pump from ingested particles and prevent particles from migrating out of the pump.

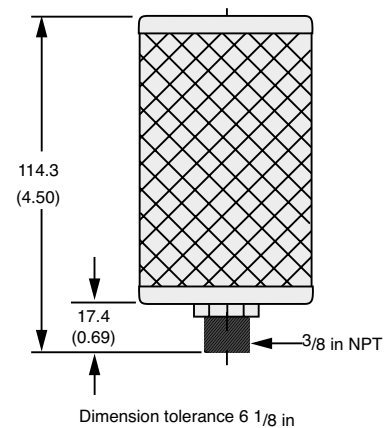
These HEPA filters trap particles $>0.3 \mu\text{m}$ at a rate of 99.97 % efficiency.

	NW16	NW25	NW40
A	95.25 (3.75)	146.05 (5.75)	146.05 (5.75)
H	99.06 (3.90)	111.00 (4.37)	120.90 (4.76)
B	66.17 (2.61)	185.85 (3.38)	195.76 (3.77)

Ordering information

Description	Part Number
NW40 inlet trap with HEPA filter insert	SCRINTRPNW40
NW25 inlet trap with HEPA filter insert	SCRINTRPNW25
NW16 inlet trap with HEPA filter insert	SCRINTRPNW16
Replacement HEPA filter element (NW25 or NW40)	REPLHEPAFILTER1
Replacement HEPA filter element (NW16)	REPLHEPAFILTER2

Exhaust Filter Kits for TriScroll Pumps



Dimensions: millimeters (inches)

These HEPA filters trap particles and dust that emanate from the vacuum system and prevent discharge into the room. Kits include one HEPA filter, flange adapter, centering ring seal, and clamp to fit the exhaust extensions. Replacement filters are also available.

Ordering information

Description	Part Number
Exhaust filter kit, TriScroll 300	PTS300EXFIL
Exhaust filter kit, TriScroll 600	PTS600EXFIL
Replacement HEPA filter	110420110

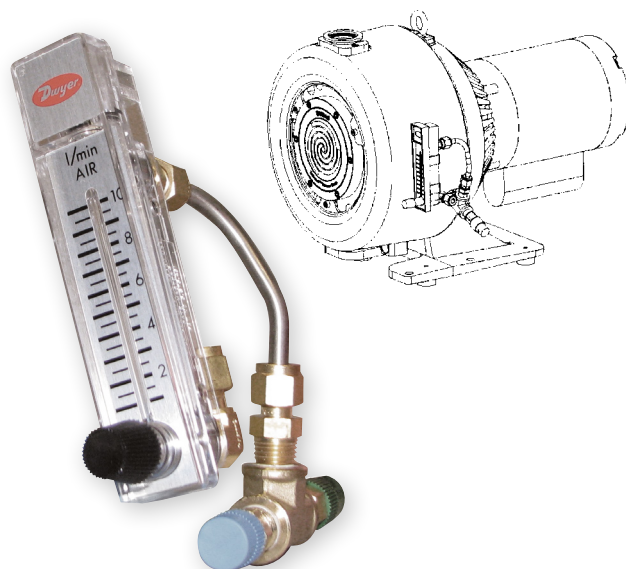
Purge Kits and Vacuum Isolation Valves

Purge Kits for TriScroll Pumps

Purge kits for TriScroll pumps enable safe, proper purging of either the main bearings through the TriScroll bearing purge port, or the pump exhaust region through the gas ballast port. Use of a gas ballast purge is indicated where it is desirable to dilute the pumped gases, and is always recommended when pumping condensable gases.

The kit includes a flow meter with manual throttle valve, a 5-psig relief valve, necessary tubing and fittings, and instructions.

The flow meter assembly mounts directly onto the TriScroll pump. The recommended flow rate for both the gas ballast and bearing purge port is 5 L/m.



Ordering information

Description	Part Number
Purge kit for TriScrolls	PTSPURGEKIT

Vacuum Isolation Valves for IDP Series Scroll Pumps

Agilent offers a range of isolation valves that are used with the scroll pump to ensure proper vacuum isolation, and eliminate turbulence into the pump foreline.

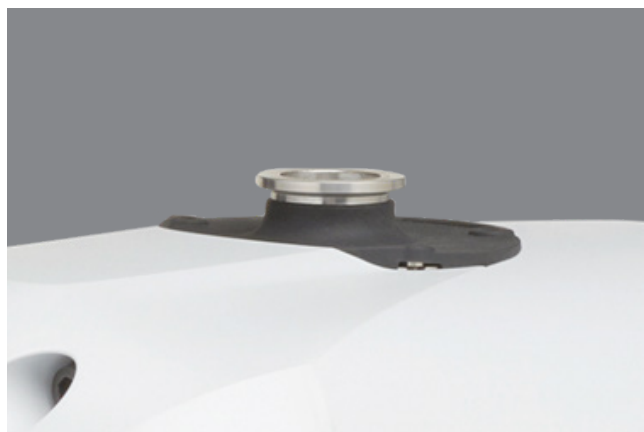
For applications where the process is sensitive to particulates or requires the best vacuum isolation, the installation of a fast-acting, automatic, normally closed valve is recommended to maintain a vacuum and prevent backstreaming of debris that may have accumulated inside the pump.

The IDP series scroll pumps offers an optional inlet valve that provides isolation of the pump in case of power failure.

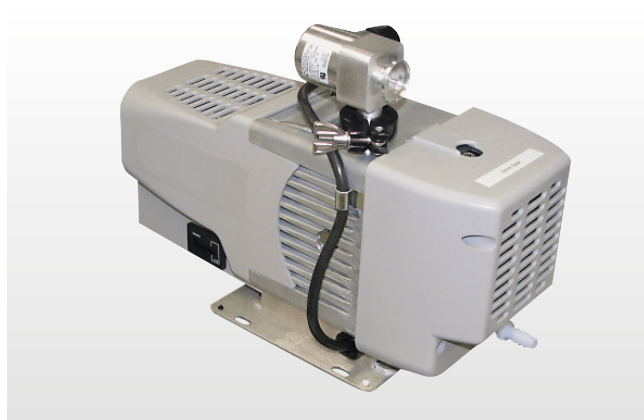
On the IDP-7, IDP-10, and IDP-15 dry scroll pumps, this optional valve is integral to the pump frame and adds no height to the inlet of the pump. On the IDP-3 pump, this optional valve is installed above the inlet of the pump.

When restarting the pump, there is a time delay before the isolation valve opens. This time allows a good level of vacuum to be established between the valve and the pump before the pump is exposed to the system vacuum line. This eliminates turbulence that can cause back migration of particulate.

Isolation valve retrofit kits are available for the IDP-3.



On the IDP-7, IDP-10 and IDP-15, the optional integral inlet valve is contained within the frame of the pump and adds no height to the inlet position

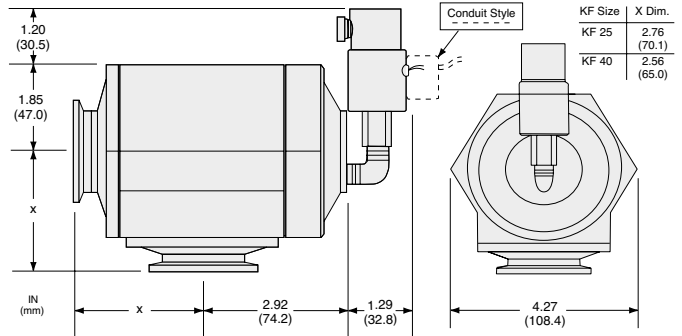
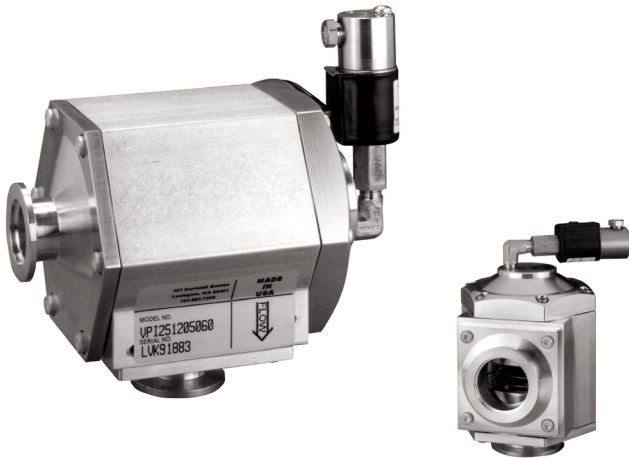


Vacuum Isolation Valve – IDP-3

Ordering information

Description	Part Number
Isolation valve retrofit kit for IDP-3 pump, 100 VAC	VPI16IDP100
Isolation valve retrofit kit for IDP-3 pump, 115 VAC	VPI16IDP115
Isolation valve retrofit kit for IDP-3 pump, 200 VAC	VPI16IDP220

Agilent Vacuum Pump Isolation Valve (VPI)



Dimensions: millimeters (inches)

Protection for your vacuum system

The VPI is electrically connected in parallel to your mechanical pump. It closes rapidly when power is interrupted to prevent oil backstreaming or particle migration into your vacuum system. The valve also vents the pump from the inlet side to push any debris towards the outlet. This prevents it from being swept into the system when pumping is restarted. The body design and right-angle configuration provide maximum conductance.

Technical specifications

Materials	Body: 6061-T6 aluminum Piston: 2024 aluminum Seals: synthetic rubber
Leak rate	Body and seal: $<1 \times 10^{-9}$ std cc/s He
Closing time	<30 ms
Power	7 W at 115 VAC
Conductance	NW25 - 13 L/s NW40 - 33 L/s
Temperature range	Valve: 0 to 100 °C, solenoid 0 to 50 °C

Features

- Lock-over-center mechanism
- Fast-acting: valve closes in less than 30 ms
- Provides venting of the pump at the pump inlet
- Remains closed until pump inlet pressure returns to system pressure
- Operates with atmospheric pressure and is activated upon loss of electrical power
- Provides maximum conductance

Benefits

- Reliable, repeatable seals
- Immediate protection of your vacuum system from oil or contaminant migration in the event of power failure
- Flow direction is maintained; oil/debris are not swept into the system
- Continued protection and easy restart
- No compressed air required for operation
- No reduction of pumping speed

Ordering information

Description	Voltage	Part Number	Shipping Weight lb (kg)
NW25	120 VAC	VPI251205060	5.0 (2.3)
	133 VAC	VPI251335060	5.0 (2.3)
	220 VAC	VPI252205060	5.0 (2.3)
	266 VAC	VPI252665060	5.0 (2.3)
NW40	120 VAC	VPI401205060	5.0 (2.3)
	133 VAC	VPI401335060	5.0 (2.3)
	220 VAC	VPI402205060	5.0 (2.3)
	266 VAC	VPI402665060	5.0 (2.3)
Accessories			
Piston kit, NW25		VPI25PSTNKIT	1.0 (0.5)
Rebuild kit, NW25		VPI25RBLDKIT	1.0 (0.5)
Piston kit, NW40		VPI40PSTNKIT	1.0 (0.5)
Rebuild kit, NW40		VPI40RBLDKIT	1.0 (0.5)
Replacement solenoid	120 VAC	VPISOL1205060	1.0 (0.5)
	133 VAC	VPISOL1335060	1.0 (0.5)
	220 VAC	VPISOL2205060	1.0 (0.5)
	266 VAC	VPISOL2665060	1.0 (0.5)
Seals kit, NW25/40		VPISEALSKIT	1.0 (0.5)

Agilent's service and support offer is one of the most comprehensive in the industry, with an emphasis on quick response times and hassle-free service.

Product Support

Exchange/Repair program

The exchange program maximizes uptime for occasions where a fast response is essential, offering exchange units for advance shipment. Our exchange units are fully reconditioned to the same strict standards as new products. They are kept in stock in North America, Europe, Japan, Korea, Singapore, and Taiwan. If requested, your exchange unit can be shipped for overnight delivery.

The repair program is available for situations where the traceability of assets is important, and when the customer must retain possession of the original pump. Both the exchange and repair programs are available worldwide and provide global OEMs and end-users with consistent delivery time, value pricing, and simple ordering procedures.

To order an exchange unit, contact the closest Agilent office to your location. After receipt of the exchange unit, you have up to 20 days to return the original unit to Agilent. To request a repair for your unit, contact the closest Agilent office to your location.

Upgrade program

The upgrade program is designed for customers who need to replace an Agilent product at the end of its life, or wish to upgrade to a more current product. For example, a customer might wish to replace a TriScroll 300 scroll pump, with the newer TriScroll 300 Inverter scroll pump, which has more advanced inverter technology, or with a state-of-the-art, single-sided IDP-15 scroll pump.

Technical Assistance

Customer support

Our toll-free lines with technical support engineers at worldwide locations, allow us to provide you with quick, corrective responses to your needs. When a new problem is identified and solved by our support personnel, it is entered into our technical support system and becomes available to our network of Agilent technical support centers.

This system allows all Agilent locations to provide excellent first- and second-level technical support to customers worldwide. In addition, the technical support centers are in daily contact with our R&D departments for a third level of support.

Application support - Application training

Agilent has a leadership position in vacuum technology and maintains this position by continuously searching for innovative solutions through research and development. To meet our customers most demanding needs, our applications engineering team can bring our knowledge to your factory.

Application support is a project-based activity where our experts assist you towards the solution of your application issues in both presales and postsales. By designing solutions that meet customer needs, Agilent aims to create a positive and synergetic relationship with customers.

Our experts can keep you informed and updated on industrial and scientific applications, with the goal of optimizing the use of our products in your system, as well as developing of new vacuum techniques.

For more information, or if you have a need for customized solutions, contact your Agilent representative.

Service and Maintenance

Agilent's industry-leading service programs maximize your system uptime and productivity. Agilent offers several scroll pump service and maintenance options, depending on your in-house capability and maintenance approach.

From “do it yourself” to exchange of the entire pump, we accommodate your maintenance needs. Routine maintenance of Agilent scroll pumps consists of simple tip seal replacement.

IDP series tip seal replacement

The IDP dry scroll pumps are designed for a long service life and easy maintenance. The tip seals in a scroll pump form the basic axial vacuum seal between the rotating and stationary scrolls, deterring the gases being pumped from moving backwards through the pumping mechanism. Tip seals are a wearable part and require occasional replacement to keep the pump at optimal operating performance.

Tip Seal Kits

Ordering information

Description	Part Number
IDP-3	
Tip seal replacement kit	IDP3TS
Replacement module	IDP3
IDP-7	
Tip seal replacement kit	X3807-67000
IDP-10	
Tip seal replacement kit	X3807-67000
IDP-15	
Tip seal replacement kit	X3815-67000
TriScroll 300/600 and TriScroll Inverter Pumps	
TriScroll 300 exhaust extension	S4707002
TriScroll 300 maintenance kit	PTSS0300MK
TriScroll 600 maintenance kit	PTSS0600MK
TriScroll 300/600 maintenance tool kit	PTSS0600TK
TriScroll 300 replacement tip seal kit	PTSS0300TS
TriScroll 600 replacement tip seal kit	PTSS0600TS
TriScroll 300/600 tip seal tool kit	PTSTSTKIT
TriScroll 300/600 3 Ø cable kit	S478900
Exchange and Replacement Pumps	
Contact Agilent for the exchange or advance exchange part number for your Agilent dry scroll pump.	

The IDP dry scroll pumps use a solid, PTFE based tip seal design that offers from one to three years of service life in most common applications. The single-sided design of the IDP pumps enables simple and quick basic service. A tip seal replacement process is easy to perform, takes about 15 minutes, and uses only common tools.

The IDP scroll pump's long service life and ability for end-users to perform basic service on the pump at their facility reduces down-time and costly service expenses.

TriScroll series tip seal replacement

For TriScroll pumps, a tip seal tool kit is recommended along with the replacement tip seal kit. Maintenance kits for TriScroll pumps contain all fixtures and tools required to perform any maintenance on TriScroll pumps.

The kits include all bearings, bearing seals, bearing lubricant, O-rings, and tip seals required to rebuild TriScroll pumps. For many Agilent pump models, an advance exchange of the entire pump is available.

Learn more:

www.agilent.com/chem/dry-scroll-pumps

Buy online:

www.agilent.com/chem/store

U.S. and Canada

1-800-882-7426 (toll-free)

vpl-customer@agilent.com

Europe

00 800 234 234 00 (toll-free)

vpt-customer@agilent.com

China

800 820 6778 (toll free, landline)

400 820 6778 (toll free, mobile)

Asia Pacific

inquiry_lsca@agilent.com

This information is subject to change without notice.

© Agilent Technologies, Inc. 2018
Published in the U.S., September 2018,
5994-0304EN

