

Technical Description

Temperature Test Chamber LabEvent T/210/70/5



LabEvent T/210/70/5 01.2.E/04.2018

Contents.

	Page
Highlights at a glance.....	3
Standards.....	4
Performance data.....	5
Temperature tests.....	5
Cooling and heating performance.....	6
Heat compensation performance curve.....	6
Technical Data.....	7
Dimensions and weights.....	7
Technical data for installation.....	7
Installation drawing.....	8
Our basic equipment.....	9
Definitions and Notes.....	11
Optional Accessories.....	12
Your additional equipment.....	15

Highlights at a glance.

- **Operating/programming and monitoring unit with 18 cm (7") web panel**
- **New, eco-friendly refrigerant R449A with low GWP**
- **Modern Design**
- **Remote control and monitoring via intranet or internet**
- **Ethernet 100/1000 Megabit**
- **Handy size thanks to a compact design**
- **From -70 °C to +180 °C in just 30 min.**

LabEvent T/210/70/5

Ordering code: 67847026

Standards.

Low temperature tests

- IEC 60068-2-1, Test A
- IEC 60721-4
- ISO 16750-4, Low temperature
- ETSI EN 300019-2-4, Test Ab/Ad
- MIL-STD-331 C, Test C6
- MIL-STD-810 G, Meth. 502.5
- MIL-E-5272, part 4.2
- JESD22-A119

High temperature tests

- IEC 60068-2-2, Test B
- IEC 60721-4
- ISO 16750-4, High temperature
- ETSI EN 300019-2-4, Test Bb/Bd
- MIL-STD-202 G, Meth. 108A
- MIL-STD-331 C, Test C6
- MIL-STD-810 G, Meth. 501.5
- MIL-STD-883 J, Meth. 1008.2
- MIL-E-5272, part 4.1
- JESD22-A103D

Alternating temperature tests

- IEC 60068-2-14, Test Nb
- ISO 16750-4, Temp. steps
- ISO 16750-4, Temp. Cycling
- ETSI EN 300019-2-4, Test Nb
- MIL-STD-331 C, Test C6

The temperature values specified in the standards (severity levels) are limited by the highest and lowest test space temperature. The choice of the appropriate test system depends on the temperature change rates during alternating tests. The requirements are met if the test system capacity is large enough to compensate for the influence of the specimen and its heat dissipation in the relevant capacity range. Please contact us to test the feasibility with your test specimen.

The reference point for test values and tolerance specifications is the middle of the test space. Verifying documentation for individual test values is optionally available at additional cost.

Your standard is not listed? Contact us!

Performance data.

Temperature tests.

Temperature range	-70 °C to +180 °C
Average temperature rate of change according to IEC 60068-3-5	Heating: 8.0 K/min Cooling: 5.0 K/min
Average temperature rates of change, measured in the supply air stream ¹	Heating: 10 K/min (-40 °C to +85 °C) Cooling: 6 K/min (+85 °C to -40 °C)
Temperature deviation in time in centre of working space	±0.3 K to ±1.0 K
Temperature homogeneity in space relative to the set value ²	±0.5 K to ±2.0 K
Heat compensation at +20 °C	1600 W
Temperature calibration values are measured at ³	-40 °C and +80 °C

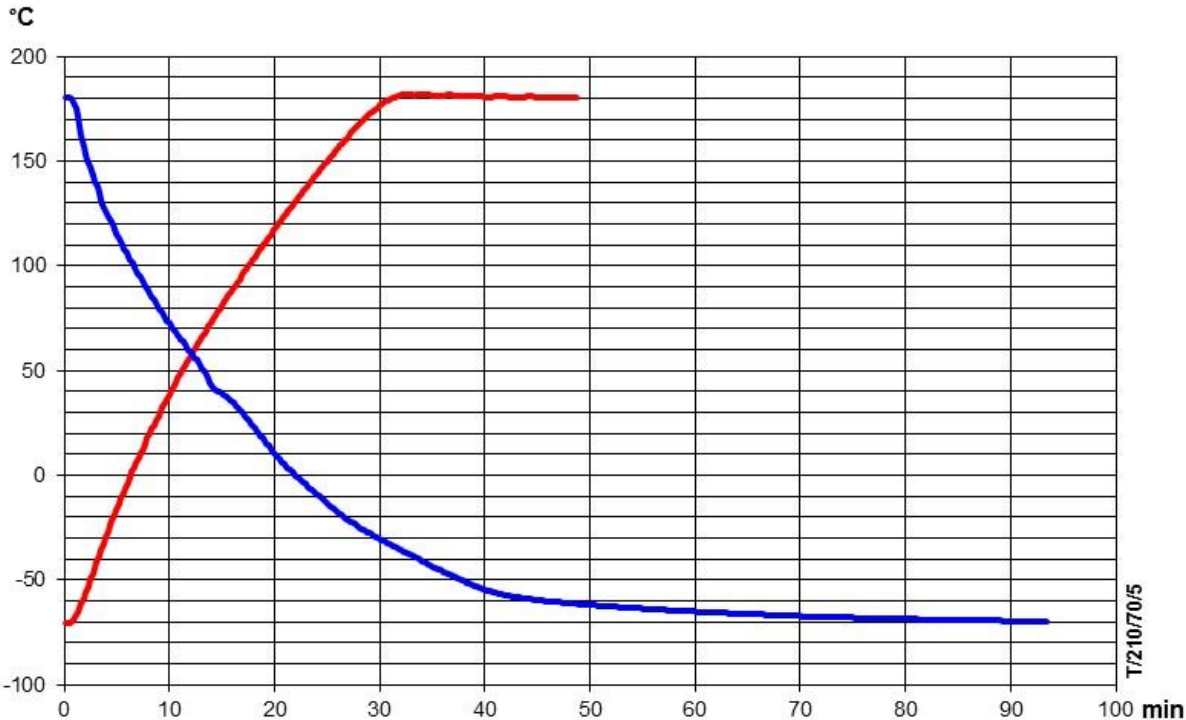
We reserve the right to make any technical changes without prior notice.

¹ The evaluation occurs not according to IEC 60068-3-5, it results from change of set value until reaching the subsequent set value

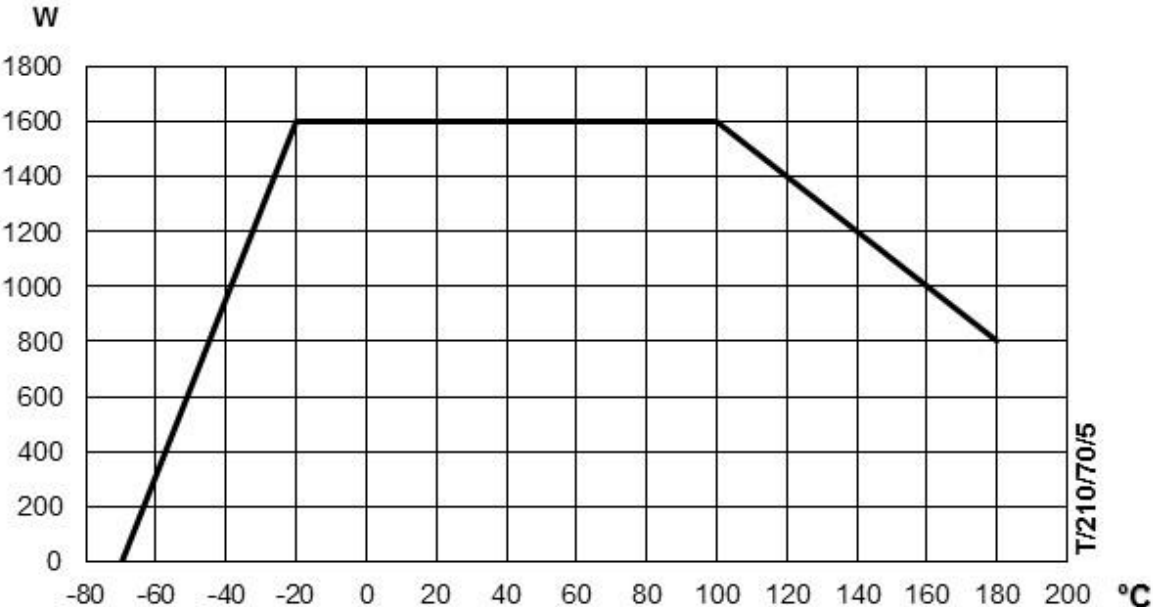
² at temperature range -70 °C to +150 °C

³ The factory calibration of the temperature values is carried out with DAkkS-calibrated measuring equipment in the test chamber centre and documented by means of a factory calibration certificate. Optionally, a DAkkS calibration and a spatial factory or DAkkS calibration can be performed.

Cooling and heating performance.



Heat compensation performance curve.



We reserve the right to make any technical changes without prior notice.

Technical Data.

Dimensions and weights.

Test space volume	approx. 200 l
Dimensions test space, H x W x D	630 mm x 560 mm x 570 mm
Exterior housing dimensions, H x W x D	1640 mm x 850 mm x 1300 mm
Weight	approx. 380 kg net

Technical data for installation.

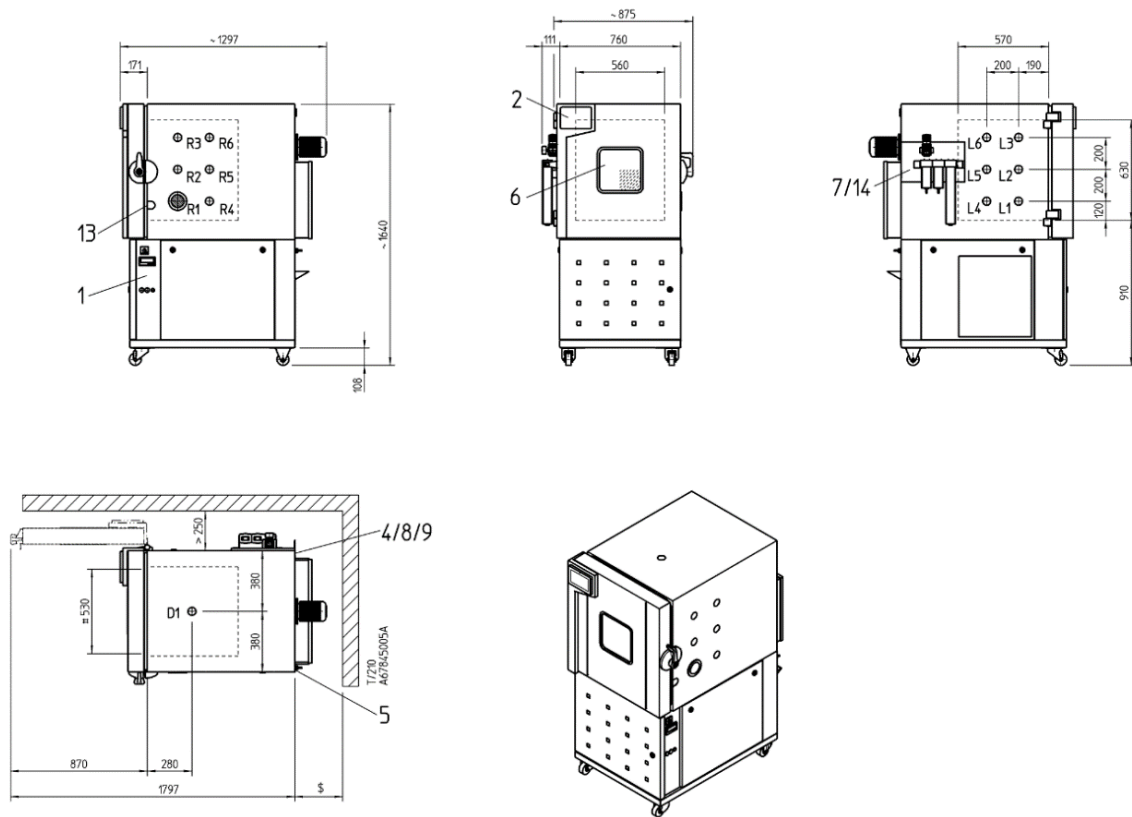
Operating conditions	ambient temperature: +10 °C to +35 °C; max. rel. air humidity 75 % r. h.; max. dew point +20 °C
Installation conditions	Please protect test chamber against direct sunlight and sources of heat.
Heat dissipation to installation space	max. approx. 5.0 kW
Sound pressure level	approx. 65 dB(A) measured at 1 m distance from the front and at 1.6 m height in free field measurement according to EN ISO 11201.
Drain for condensate and cleaning water	G ¾" male thread, hose connecting sleeve NW 12 mm

Electrical:

Nominal voltage	3/N/PE AC 400V ±10% 50Hz
Nominal power	approx. 4.7 kW
Nominal current	approx. 13 A
Connector	Cekon 16 A
Connection cable	approx. 4.5 m
Fuse protection	16 A slow blow, customer provided
Protection class	electrical compartment: IP 54 control unit: IP 54
Energy consumption at -40 °C	approx. 85 kWh / 24h

We reserve the right to make any technical changes without prior notice.

Installation drawing.



- R1 Ø 80 mm (Port installed in basic equipment)
- R2 Additional installation positions right (additional equipment)
- R3 Additional installation positions right (additional equipment)
- R4 Additional installation positions right (additional equipment)
- R5 Additional installation positions right (additional equipment)
- R6 Additional installation positions right (additional equipment)
- L1 Additional installation positions left (additional equipment)
- L2 Additional installation positions left (additional equipment)
- L3 Additional installation positions left (additional equipment)
- L4 Additional installation positions left (additional equipment)
- L5 Additional installation positions left (additional equipment)
- L6 Additional installation positions left (additional equipment)
- D1 Additional installation positions in the ceiling
(additional equipment)

- 1 Main switch
- 2 7" **WEBS**Season® colour touch panel
- 4 Connection for overflow and condensate drain
- 5 Electrical connection cable length approx. 4.5 m
- 6 Door with window (additional equipment)
- 7 Compressed air dryer (option)
- 8 Cooling water supply (additional equipment)
- 9 Cooling water return (additional equipment)
- 13 Lead-through pad/Notch port (additional equipment)
- 14 Connection for GN² compressed air (option)
- 26 Independent adjustable temperature limiter
- # useful width
- ~ transport dimensions
- \$ escape route according to standard IEC 60364-7-729
(VDE 100 part 729)

We reserve the right to make any technical changes without prior notice.

Our basic equipment.

Casing	zinc plated sheet metal with resistant powder coating, movable on two fixed and two pivoting wheels, colour: RAL 9002, grey-white
Door	one-hand operation, lockable, hinged on the left-hand side, colour: RAL 9002, grey-white
Test space	polished stainless steel - grade 1.4301 max. load of test space floor 45 kg (surface load), a maximum of 9 shelves is possible, max. load for each shelf: 28 kg (surface load), max. total load 80 kg internal racks must allow 20 mm space from the main walls. Total load shelf and test space floor max. 125 kg
Entry port	1 entry port \varnothing 80 mm r. h. side, incl. sealing plug
Air circulation conditioning	at rear wall, with axial flow fan
Refrigeration unit	air-cooled refrigeration unit with continuously variable power adjustment by SIMPAC® and CFC-free refrigeration cycle
Refrigerant	chloride-free refrigerant R449A, R23 without ozone depletion potential, R449A, GWP:1397, fill quantity:1.6 kg CO ₂ equivalent:2.24 t R23, GWP: 14800, fill quantity:0,4 kg, CO ₂ equivalent:5.92 t

We reserve the right to make any technical changes without prior notice.

Regulation and control (SIMPAC®)

WEBSeason®

Web based measuring and control system with I/O unit and WEBSeason®-software

Operating/programming and monitoring unit with 18 cm (7") web panel



Control

powerful 32-bit control, monitoring and control system SIMPAC®

Test Cabinet protection

safety temperature limiter (STB) for protection of the test cabinet against overheating

Switching-off of test specimen

potential-free contact especially for heat emitting test specimens, lead onto socket, max. load 24 V, 0.5 A

Test specimen protection

independent, adjustable temperature limiter t_{\min}/t_{\max} , sensor in test space installed, individually adjustable fixed values



Independent adjustable temperature limiter

USB

for external saving of measuring data by USB stick

Ethernet

100/10 megabit for integration into network or connection with customer's computer

Customer protocols

SimServ (to control the temperature test chamber via the Ethernet interface)

Measuring sensors

Temperature

platinum measuring sensor Pt 100

We reserve the right to make any technical changes without prior notice.

Definitions and Notes.

The temperature accuracy mentioned is measured temporally in the centre of the test space. This is with stabilised conditions, without test specimens, without heat load and without optional accessories in the test space.

The factory calibration of the temperature values will be made by using DAkKS-DKD calibrated measuring equipment in the centre of the test space. The calibration is documented with a calibration sheet. Optionally we can offer a DAkKS calibration as well as a spatial calibration according to factory (WKD) or DAkKS-DKD calibration. DAkKS is member of EA (European co-operation for Accreditation) as well as ILAC (International Laboratory Accreditation Cooperation).

All figures are average values of the basic equipment and are valid at an ambient temperature of +25 °C, at a cooling water temperature of 18 °C and a nominal voltage of 400 V/50 Hz, without test specimens, without heat irradiation and without optional accessories.

The equipment can also be connected to a 3/N/PE AC 380 V +/- 10 % 50 Hz power supply. The main difference at nominal voltage 380 V is an approx. 10 % reduction in the heating temperature change rate.

The sensor for control is permanently installed in the exhaust air. The sensor for temperature limiting is movable.

The equipment is designed for installation in dry and aerated rooms with max. permissible air contamination according to EN 50178 class 2: 1997.

The EMC test (electromagnetic compatibility) and the statements regarding interference are according to EN 61000-6-3: 2007 / EN 61000-6-4: 2007. The interference immunity is according to EN 61000-6-2: 2005.

Test space with low emission due to application of tempered silicone components. If the test space has to be emission-free, this has to be clarified technically and can be offered on request.

Tests with temperatures >+5 °C can be run in continuous operation, < +5 °C discontinuously or with the optional accessory compressed air dryer.

The illustrations are examples of designs. Deviations resulting from technical progress are possible.

(EU) directive no. 517/2014 specifies an obligation for stationary refrigeration and air conditioning units with a CO₂ equivalent of 5 to 50 t to be checked for leaks at least annually and an equipment logbook to be kept; units with a leak detection system must be checked every 24 months. We can carry out these tasks for you in our capacity as an expert partner. We would be glad to advise you on installing a leak detection system

Optional Accessories.

Web panel

e64844947 7" Web panel, installed under the door lock

Access ports

e64609901 Access port \varnothing 50 mm
e64609902 Access port \varnothing 80 mm
e64609903 Access port \varnothing 125 mm
e64844921 Access port in ceiling \varnothing 50 mm
e64844922 Access port in ceiling \varnothing 80 mm
e64844923 Access port in ceiling \varnothing 125 mm
e64645910 Flat notch port incl. spare insert *24
e64844902 Notch port *25
e62749146 Silicone sealing plug for access port \varnothing 50 x 40 mm, 1 x slotted
e62749147 Silicone sealing plug for access port \varnothing 80 x 40 mm, 1 x slotted
e62749148 Silicone sealing plug for access port \varnothing 125 x 40 mm, 1 x slotted
e64645911 Insert for flat notch port
e64609919 Silicone plug for notch port

Shelves / supports

e64845900 Shelf of stainless steel for 210 l
e64844930 Drawer on telescopic rails stainless steel for 210 l, up to 30 kg *3

Set up

e64847901 Sound insulation by approx. 2-3 dB(A), 210 l

Door

e64845907 Window in the door
e64845908 Window in the door and 2 hand holes
e64844906 Door hinged on the right side

Special coating

e64844972 Special coating - powder-coated housing in RAL colours LZ3

Test space equipment / fittings

e64609932 Test space lighting 50 W, 24 V
e64610930 Disconnection of fan via digital channel LZ2
e64609947 Disconnection of fan via door switch LZ2

Air circulation

e64625916 Adjustable circulating air volume

Safety equipment

e64625901 Test chamber activation via digital input > 3K *4 LZ1
e64844933 Door switch displaying "door open" on control unit / SIMPATI LZ2
e64624943 Safety interlock switch, open at zero current LZ2
e64624944 Safety interlock switch, closed at zero current LZ2

Dehumidification

- e64844926 Compressed air dryer for dew point to -30 °C uncontrolled *15
- e64844927 GN2 / Compressed air connection *16

Measuring

- e64624930 Temperature measuring on test specimen (several sensors possible) *5
- e64624931 Temperature measurement on test specimen
switchable by reversible control sensor (max. 1 sensor) *20
- e64624936 Temperature measurement on test specimen (max. 1 sensor) *21

Control

- e64624979 Digital I/O, 4 inputs, 4 outputs
- e64631932 Analog measuring data card for 4 PT 100 inputs and 5 outputs
(set and actual values)
- e64842939 Energy meter direct, up to 63 A LZ1
- e64843923 Extension of temperature range 40/110/210 l to +200 °C LZ1

Cooling system

- e64844945 Hose kit for cooling water network 3/4", 2x2.5m, flexible *6
- e64847207 Water cooling 210 l, -70 °C
- e64624912 Insulation of the water supply at water flow <+12°C
- e64631939 Electronic cooling water controller 5-10 K LZ2

Special voltage

- e64609920 Special voltage **to 9 kVA, 50 Hz**
for 200 V, 220 V, 380 V, 415 V, 440 V, 460 V, 3/N/PE AC $\pm 10 \%$
or 200 V, 220 V, 380 V, 415 V, 440 V, 460 V, 3/PE AC $\pm 10 \%$
- e64624949 Special voltage **to 9 kVA, 60 Hz**
for 200 V, 220 V, 380 V, 415 V, 460 V, 3/N/PE AC $\pm 10 \%$
or 200 V, 220 V, 380 V, 415 V, 460 V, 3/PE AC $\pm 10 \%$
- e64844944 Special voltage **to 20.8 kVA, 50/60 Hz, single-phase three-wire circuits**
for 208 V, 220 V, 230 V, 240 V, 480 V, 575 V, 3/N/PE AC $\pm 10 \%$
or 208 V, 220 V, 230 V, 240 V, 480 V, 575 V, 3/-/PE AC $\pm 10 \%$
with socket 16 A CEE at the secondary circuit
110/210-5K, 180 - 340 l, 500 l (nur-60°C), WLM/VLM
- e64624970 Special voltage 440 V, 60 Hz, 3/N/PE, AC $\pm 10 \%$

Standards

- e64625548 Modification of standard units for Bosch company LZ2
- e64624996 Adaptation to AUDI specifications for standard and modified standard LZ2

Spare parts packages

- e64846902 Spare parts package, -70 °C

Calibration

- e64604061 WKD Temperature calibration in test space centre (empty, 1st value)
- e64604170 DAkKS Temperature calibration acc. to DAkKS-DKD-R 5-7, Method C

SIMPATI

e64241243	Software package SIMPATI
e64241166	SIMPATI licence
e64241179	Update SIMPATI
e64241233	TCPIP Labview 2013 Driver SIMPAC Climate / Temperature (Ethernet)
e64624947	Socket 220 - 240 V, max. 2 A
e63143193	Ethernet interface cable RJ45, 15 m
e63143014	Interface cable RS 232C, 5 m
e63143016	Interface cable RS 232C, 15 m
e63143052	Interface cable RS 422/RS 485, 5 m
e63143053	Interface cable RS 422/RS 485, 10 m
e63143030	Interface cable RS 422/RS 485, 15 m
e64568909	Converter cable USB to RS 232 C, 100 mm
e64624983	Interface RS 232 C with SIMPAC control
e64241167	Interface RS 422/485 network card for test chamber

Miscellaneous

e64624973	Operating manuals, additional (hardcopy)
-----------	--

We reserve the right to make any technical changes without prior notice.

Your additional equipment.

??(Tabellenvorlagen für Sonderoptionen / Modifikationen)

Ordering code: EUR ?

Ordering code: EUR ?

EUR ?