



## The New Practum®.

Start Weighing Right.

### Benefits

- Unmatched reliability with the world-class weighing instrument
- Made in Germany
- Overload protection for years of reliability
- Supervisor Lock
- Fast and easy data transfer



### Technical Specifications

#### AC Adapter

Sartorius AC adaptor module	6971790 with interchangeable country-specific plug-in AC adaptors
Primary	100 – 240 V~, -10%   +10%, 50 – 60 Hz, 0.2 A
Secondary	15 V DC, ± 5%, 530 mA (max.)   8 Watt (max.): 0 to +40 °C and 15 V DC, ± 5%, 330 mA (max.)   5 Watt (max.): 0 to +50 °C

Other data	protection class II, in accordance with EN   IEC 60950-1 up to 3000 m above sea level; IP40 as per EN   IEC 60529
------------	---

#### Balance

Power supply	only via Sartorius AC adaptor module 6971790
Input voltage	12.0 ... 18.0 V DC
Power consumption	2 W (typically)

#### Ambient Conditions

The specifications apply when the following ambient conditions are in place:

Environment	for indoor use only
-------------	---------------------

Ambient temperature	+10 °C to +30 °C
Operational capacity	guaranteed between +5 °C and +45 °C
Storage and shipping	-10 °C to +60 °C
Elevation	up to 3,000 m above sea level
Relative humidity	15% to 80% for temperatures up to 31 °C; non-condensing, decreasing linearly to 50% relative humidity at 40 °C and 20% at 50 °C
Safety of electrical equipment	in accordance with EN 61010-1   IEC 61010-1. Safety requirements for electrical equipment for measurement, control, and laboratory use – Part 1: General requirements
Electromagnetic compatibility	in accordance with EN 61326-1   IEC 61326-1. Electrical equipment for measurement, control, and laboratory use – EMC requirements – Part 1: General requirements
Defined immunity to interference	Suitable for use in industrial areas
Interference emission	Class B (suitable for use in residential areas and areas that are connected to a low voltage network that also supplies residential buildings). The device can therefore be used in both areas.

Standard Equipment	
Levelling	Glass level indicator with air bubble for centering
Calibration	External calibration
Selectable weight units	Gram, kilogram, carat, pound, ounce, troy ounce, Hong Kong tael, Singapore tael, Taiwan tael, grain, pennyweights, milligram, parts per pound, China tael, mommes, Austrian carat, tola, baht, mesghal and Newton
Interface	mini USB – Automatic recognition of Sartorius printer YDP40 – Direct data transfer to Microsoft® Windows programs – Programmable interval for data output – Data transfer protocols SBI, table format, text format
Display	Touch screen with Sartorius graphical user interface
Standard built-in applications	Weighing, Density, Percentage, Checkweighing, Peak Hold, Counting, Unstable Conditions
Languages	English, French, German, Hungarian, Italian, Polish, Portuguese, Russian, Spanish, Turkish, Chinese, Japanese, Korean
Protection	– Rugged, easy-to-clean housing – In-use cover – Dust cover for analytical balances
Password protection	Supervisor lock for protection against unintentional changes
Anti-theft lock	Kensington lock and lockdown capability for cable or chain
Underfloor weighing	Integrated



## Analytical Balances Practum®

Model		224	124	64
Weighing capacity	g	220	120	60
Readability	mg	0.1	0.1	0.1
Repeatability (standard deviation)	mg	0.1	0.1	0.1
Linearity deviation	mg	0.2	0.2	0.2
Sensitivity drift between +10 °C and +30 °C	± ppm/K	2	2	2
Typical stabilization time	s	2	2	2
Weighing pan size	mm	∅ 90	∅ 90	∅ 90
Weighing chamber height	mm	209	209	209
Net weight, approx.	kg	4.5	4.5	4.5
Dimensions, D × W × H	mm	360 × 216 × 320		
	Inch	14.1 × 8.5 × 12.6		

## Precision Balances Practum®

Model		513	313	213	3102	2102	1102	612	412	6101	5101	2101	6100	5100	
Weighing capacity	g	510	310	210	3100	2100	1100	610	410	6100	5100	2100	6100	5100	
Readability	mg	1	1	1	10	10	10	10	10	100	100	100	1000	1000	
Repeatability (standard deviation)	mg	1	1	1	10	10	10	10	10	100	100	100	500	500	
Linearity deviation	mg	2	2	2	30	30	30	30	30	300	300	300	1000	1000	
Sensitivity drift between +10 °C and +30 °C	± ppm/K	3	3	3	4	4	4	4	4	8	8	8	8	8	
Typical stabilization time	s	1	1	1	1.5	1.5	1.5	1.5	1.5	1.5	1.5	1.5	1	1	
Weighing pan size	mm	∅ 120	∅ 120	∅ 120	∅ 180	∅ 180	∅ 180	∅ 180	∅ 180	∅ 180	∅ 180	∅ 180	∅ 180	∅ 180	
Weighing chamber height	mm	209	209	209	-	-	-	-	-	-	-	-	-	-	
Net weight, approx.	kg	4.9	4.9	4.9	3.1	3.1	3.1	3.1	3.1	3.1	3.1	3.1	3.1	3.1	
Dimensions, D × W × H	mm	360 × 216 × 320							360 × 216 × 95						
	Inch	14.1 × 8.5 × 12.6							14.1 × 8.5 × 3.75						

## Optional Accessories

Printers and Communications	
Standard Laboratory Printer	YDP40
– Printer paper for standard laboratory printer	69Y03287
Data Cable Mini USB   USB A	YCC04-D09
Date Cable Mini USB   RS232 9-pin	YCC03-D09
Date Cable Mini USB   RS232 25-pin	YCC03-D25
General	
Battery Pack for Standard Lab Balances	YRB11Z
Draft shield for balances with a readability of 0.01 g   0.1 g   1 g	YDS01SQP
Draft shield for balances with a readability of 1 mg	YDS02SQP
In-use cover for balances with a readability of 0.1 mg and 1 mg	6960SE01
In-use cover for balances with a readability of 0.01 g   0.1 g   1g	6960SE02
Dust cover for analytical balances with draft shield	6960SE03
Density Determination	
Density kit for balances with a readability of 0.1 mg   1 mg	YDK03
Density kit for balances with a readability of 0.01 g   0.1 g   1g	YDK04



YDP40, Standard Laboratory Printer

## Calibration Weights

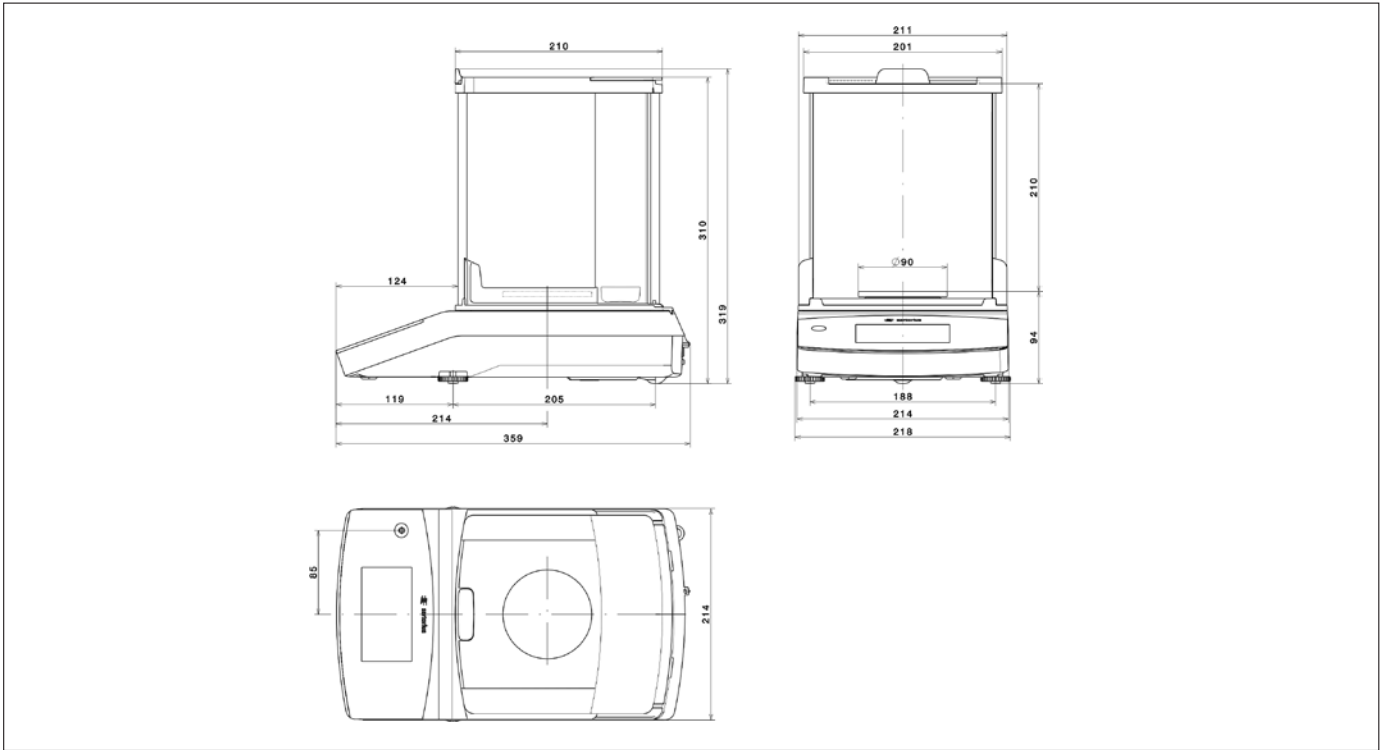
Calibration for lab balance model 224; 513 – Proof Line knob weight 200 g, OIML class E2, with DAkkS certificate	YCW522-AC-02
Calibration for lab balance model 124 – Proof Line knob weight 100 g, OIML class E2, with DAkkS certificate	YCW512-AC-02
Calibration for lab balance model 64 – Proof Line knob weight 50 g, OIML class E2, with DAkkS certificate	YCW452-AC-02
Calibration for lab balance model 313; 213; 412 – Proof Line knob weight 200 g, OIML class F1, with DAkkS certificate	YCW523-AC-02
Calibration for lab balance model 3102; 2102 – Proof Line knob weight 2 kg, OIML class F1, with DAkkS certificate	YCW623-AC-02
Calibration for lab balance model 1102 – Proof Line knob weight 1 kg, OIML class F1, with DAkkS certificate	YCW613-AC-02
Calibration for lab balance model 612 – Proof Line knob weight 500 g, OIML class F2, with DAkkS certificate	YCW554-AC-02
Calibration for lab balance model 6101; 5101; 2101; 6100; 5100 – Proof Line knob weight 2 kg, OIML class F2, with DAkkS certificate	YCW624-AC-02



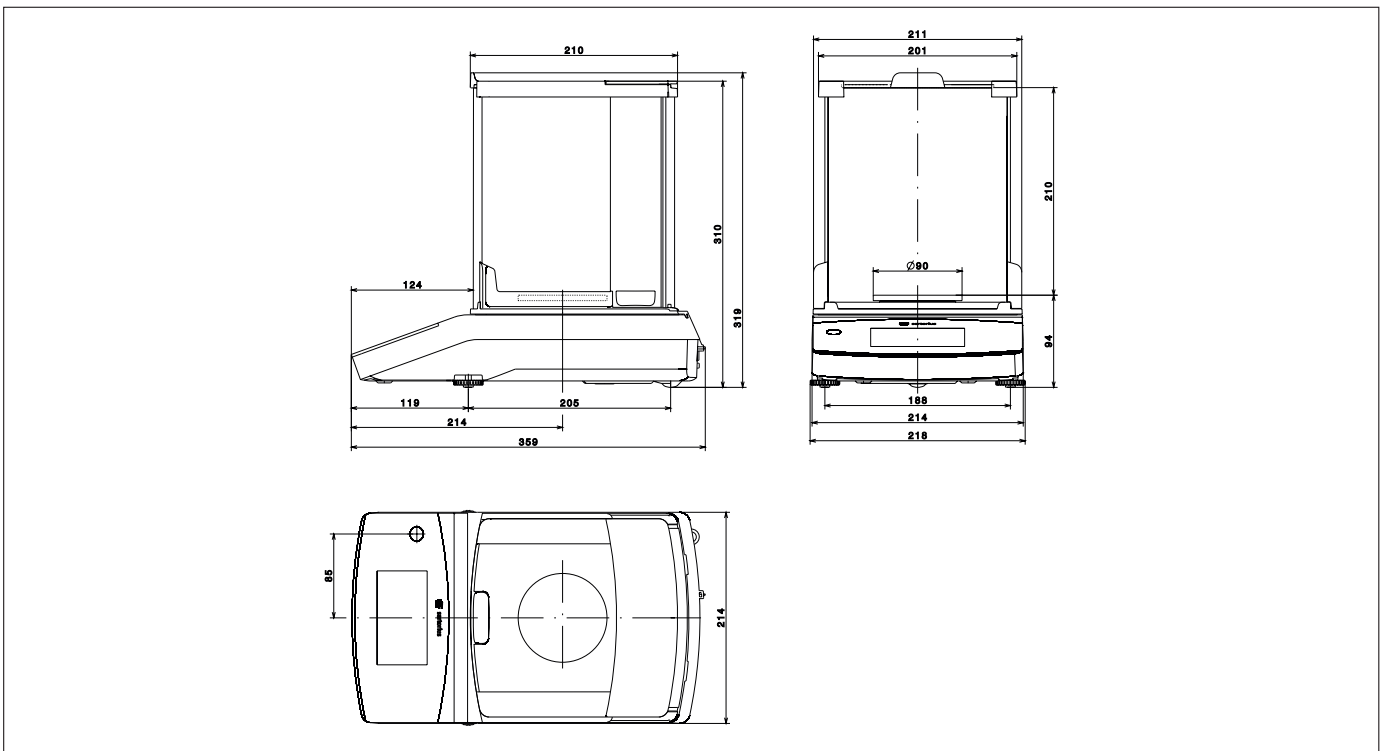
Calibration weights

## Technical Drawings

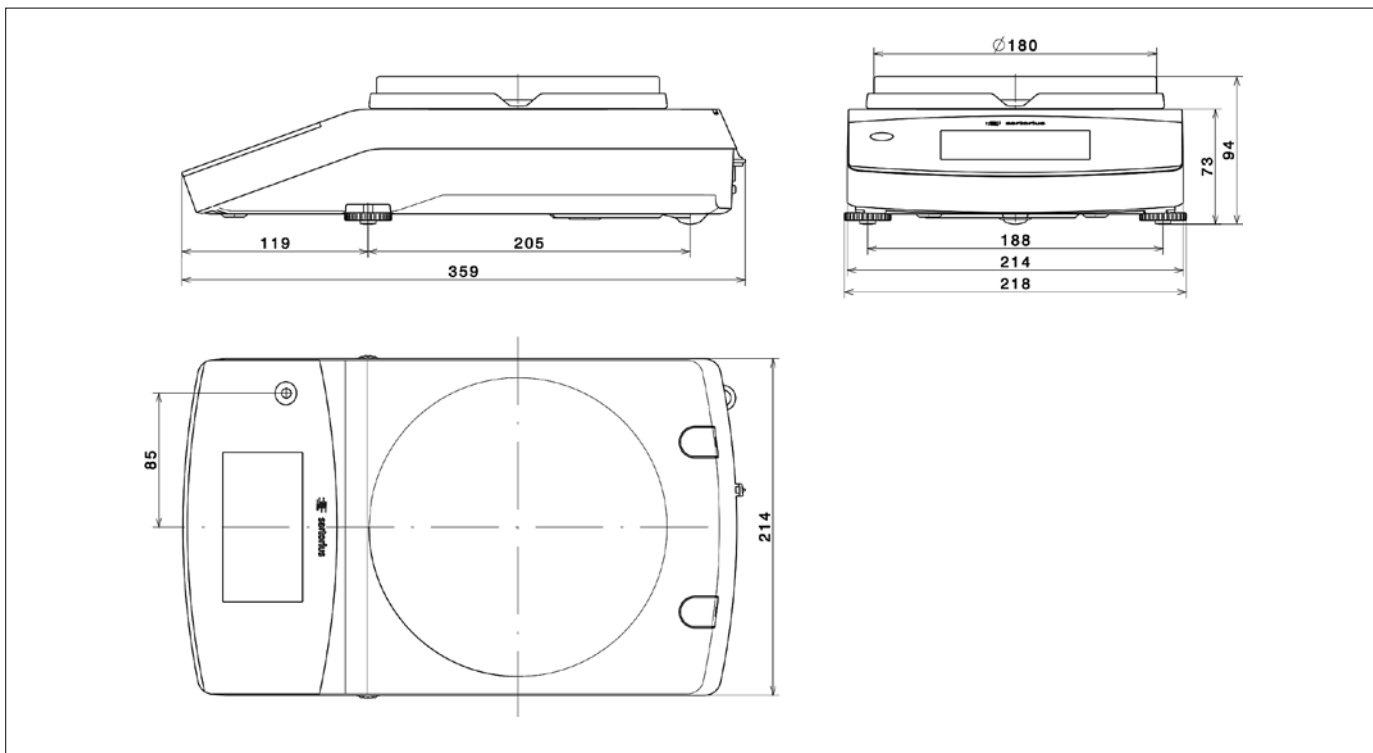
Models with a readability of 0.1 mg,  
in mm



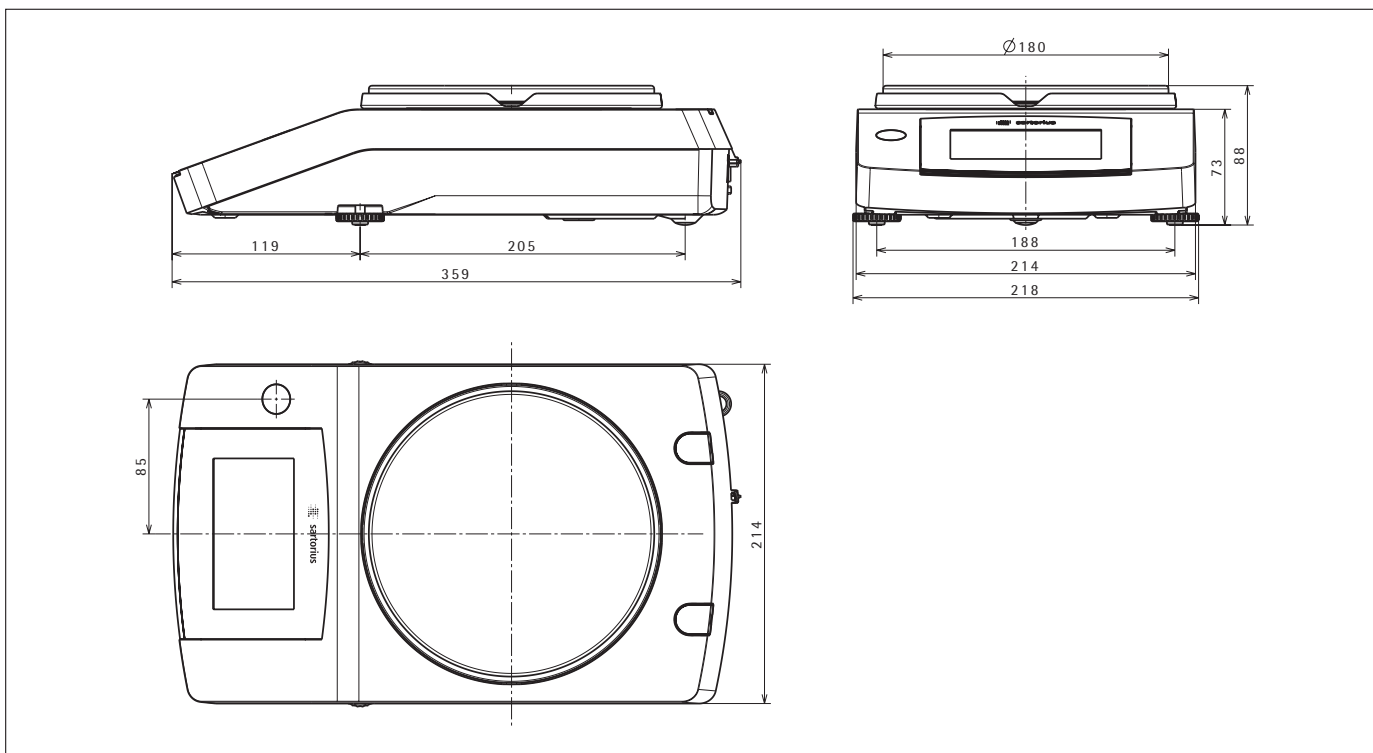
Models with a readability of 1 mg,  
in mm



Models with a readability of  $\geq 10$  mg (exclude 3102),  
in mm



Models with a readability of 10 mg and a capacity of  $\geq 3,100$  g,  
in mm



# Sales and Service Contacts

For further contacts, visit [www.sartorius.com](http://www.sartorius.com)

## Europe

### Germany

Sartorius Lab Instruments  
GmbH & Co. KG  
Weender Landstrasse 94-108  
37075 Goettingen

Phone +49.551.308.0  
Fax +49.551.308.3289

### France & Suisse Romande

Sartorius France  
2, rue Antoine Laurent de Lavoisier  
ZA de la Gaudrée  
91410 Dourdan

Phone +33.1.70.62.50.00  
Fax +33.1.64.59.76.39

### Austria

Sartorius Austria GmbH  
Franzosengraben 12  
1030 Vienna

Phone +43.1.7965760.0  
Fax +43.1.7965760.24

### Belgium

Sartorius Belgium N.V.  
Leuvensesteenweg, 248/B  
1800 Vilvoorde

Phone +32.2.756.06.71  
Fax +32.2.253.45.95

### Finland & Baltics

Sartorius Biohit Liquid Handling Oy  
Laippatie 1  
00880 Helsinki

Phone +358.9.755.951  
Fax +358.9.755.95.200

### Hungary

Sartorius Hungária Kft.  
Kagyló u. 5.  
2092 Budakeszi

Phone +3623.457.227  
Fax +3623.457.147

### Ireland

Sartorius Ireland Ltd.  
Unit 41, The Business Centre  
Stadium Business Park  
Ballycoolin Road  
Dublin 11

Phone +353.1.8089050  
Fax +353.1.8089388

### Italy

Sartorius Italy S.r.l.  
Viale A. Casati, 4  
20835 Muggiò (MB)

Phone +39.039.4659.1  
Fax +39.039.4659.88

### Netherlands

Sartorius Netherlands B.V.

Phone +31.30.60.53.001  
Fax +31.30.60.52.917  
[info.netherlands@sartorius.com](mailto:info.netherlands@sartorius.com)

### Poland

Sartorius Poland sp.z o.o.  
ul. Wrzesinska 70  
62-025 Kostrzyn

Phone +48.61.6473830  
Fax +48.61.6473839

### Russian Federation

LLC "Sartorius ICR" and LLC "Biohit"  
Uralskaya str. 4, Lit. B  
199155, Saint-Petersburg

Phone +7.812.327.5.327  
Fax +7.812.327.5.323

### Spain & Portugal

Sartorius Spain, S.A.  
Avda. de la Industria, 32  
Edificio PAYMA  
28108 Alcobendas (Madrid)

Phone Spain +34.902.123.367  
Phone Portugal +351.800.855.800  
Fax Spain +34.91.358.96.23  
Fax Portugal +351.800.855.799

### Switzerland

Sartorius Mechatronics Switzerland AG  
Ringstrasse 24a  
8317 Tagelswangen (ZH)

Phone +41.44.746.50.00  
Fax +41.44.746.50.50

### U.K.

Sartorius UK Ltd.  
Longmead Business Centre  
Blenheim Road, Epsom  
Surrey KT19 9QQ

Phone +44.1372.737159  
Fax +44.1372.726171

### Ukraine

LLC "Biohit"  
Post Box 440 "B"  
01001 Kiev, Ukraine

Phone +380.44.411.4918  
Fax +380.50.623.3162

## America

### USA

Sartorius Corporation  
5 Orville Drive, Suite 200  
Bohemia, NY 11716

Phone +1.631.254.4249  
Toll-free +1.800.635.2906  
Fax +1.631.254.4253

### Argentina

Sartorius Argentina S.A.  
Int. A. Avalos 4251  
B1605ECS Munro  
Buenos Aires

Phone +54.11.4721.0505  
Fax +54.11.4762.2333

### Brazil

Sartorius do Brasil Ltda  
Avenida Senador Vergueiro 2962  
São Bernardo do Campo  
CEP 09600-000 - SP- Brasil

Phone +55.11.4362.8900  
Fax +55.11.4362.8901

### Canada

Sartorius Canada Inc.  
2179 Dunwin Drive #4  
Mississauga, ON L5L 1X2

Phone +1.905.569.7977  
Toll-Free +1.800.668.4234  
Fax +1.905.569.7021

### Mexico

Sartorius de México S.A. de C.V.  
Circuito Circunvalación Poniente  
No. 149  
Ciudad Satélite  
53100, Estado de México  
México

Phone +52.5555.62.1102  
Fax +52.5555.62.2942

## Asia | Pacific

### Australia

Sartorius Australia Pty. Ltd.  
Unit 5, 7-11 Rodeo Drive  
Dandenong South Vic 3175

Phone +61.3.8762.1800  
Fax +61.3.8762.1828

### China

Sartorius Scientific  
Instruments (Beijing) Co., Ltd.  
33 Yu An Road, Airport Industrial Park  
Zone B,  
Shunyi District, Beijing 101300,  
P.R.China

Phone +86.10.8042.6300  
Fax +86.10.8042.6486

### Hong Kong

Sartorius Hong Kong Ltd.  
Unit 1012, Lu Plaza  
2 Wing Yip Street  
Kwun Tong  
Kowloon, Hong Kong

Phone +852.2774.2678  
Fax +852.2766.3526

### India

Sartorius Weighing India Pvt. Ltd.  
#69/2-69/3, NH 48, Jakkasandra,  
Nelamangala Tq  
562 123 Bangalore, India

Phone +91.80.4350.5250  
Fax +91.80.4350.5253

### Japan

Sartorius Japan K.K.  
4th Fl., Daiwa Shinagawa North Bldg.  
8-11, Kita-Shinagawa 1-chome  
Shinagawa-ku, Tokyo, 140-0001 Japan

Phone +81.3.3740.5408  
Fax +81.3.3740.5406

### Malaysia

Sartorius Malaysia Sdn. Bhd  
Lot L3-E-3B, Enterprise 4  
Technology Park Malaysia  
Bukit Jalil  
57000 Kuala Lumpur, Malaysia

Phone +60.3.8996.0622  
Fax +60.3.8996.0755

### Singapore

Sartorius Singapore Pte. Ltd  
1 Science Park Road,  
The Capricorn, #05-08A,  
Singapore Science Park II  
Singapore 117528

Phone +65.6872.3966  
Fax +65.6778.2494

### South Korea

Sartorius Korea Ltd.  
8th Floor, Solid Space B/D,  
PanGyoYeok-Ro 220, Bundang-Gu  
SeongNam-Si, GyeongGi-Do, 463-400

Phone +82.31.622.5700  
Fax +82.31.622.5799

### Thailand

Sartorius (Thailand) Co. Ltd.  
129 Rama 9 Road,  
Huaykwang  
Bangkok 10310

Phone +66.2643.8361-6  
Fax +66.2643.8367



◀ [www.sartorius.com](http://www.sartorius.com)