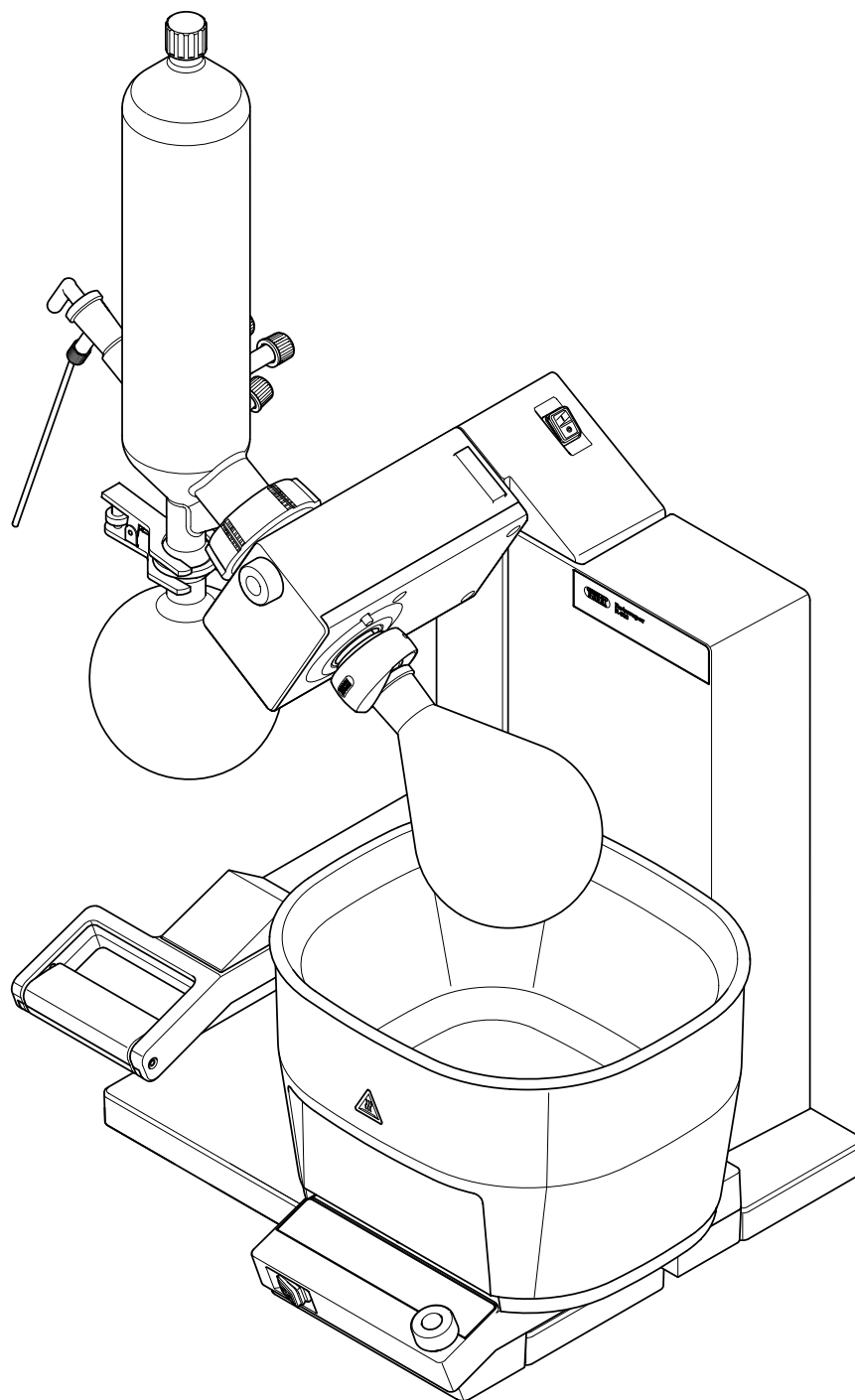




# Rotavapor® R-300

## Technical data sheet

The Rotavapor® R-300 meets the highest expectations in convenience and versatility for rotary evaporation. Its modular design allows for easy extension of the R-300 to a fully integrated system where a central interface regulates each component.



## Overview of Rotavapor® R-300 stand-alone and systems

	Rotavapor® R-300	System "Rotavapor® Dynamic"
Rotavapor® R-300 / R-300 Hand Lift**	1	1
Heating Bath B-301 / B-305**	*	1
Interface I-300 / I-300 Pro (incl. VacuBox)**	*	1
Vacuum Pump V-300	-	1
Recirculating Chiller F-305 / F-308**	-	*

\* optional, according to order code

\*\* according to order code

### Rotavapor® R-300

The Rotavapor® R-300 represents high reliability and convenience in laboratory rotary evaporation applications. The Rotavapor® R-300 is available with either an electronic or manual lift, and can optionally include the Heating Bath B-301 or B-305 and, a glass assembly of your choice and the Interface I-300 or I-300 Pro.

All accessories and connections are included for out of the box usage.

## Order code

Choose the configuration according to your needs:

### Rotavapor® R-300



#### Lift System

- 1 Manual lift
- 2 Electronic lift

#### Heating Bath

- 0 Without
- 1 B-301: 20 – 95 °C (water),  
max. flask size: 1 L
- 5 B-305: 20 – 220 °C, max. flask size: 5 L

#### Standard Joint

- 0 Without (w/o evaporating flask, w/o vapor duct)
- 1 SJ 29/32 (incl. evaporating flask, vapor duct)
- 2 SJ 24/40 (incl. evaporating flask, vapor duct)

#### Glass Assembly

- N Without (w/o receiving flask) <sup>1)</sup>
- V Vertical (incl. receiving flask)
- A Diagonal (incl. receiving flask)
- C Cold trap (incl. receiving flask)
- S Vertical reflux (incl. receiving flask)

#### Protective Coating

- 0 Without <sup>1)</sup>
- 1 Safety coating (P+G) <sup>2)</sup>

#### Interface

- 0 Without
- 1 Without, with Woulff bottle
- 2 I-300, with Woulff bottle (incl. VacuBox)
- 3 I-300 Pro, with Woulff bottle (incl. VacuBox)
- 4 I-300, with valve unit (incl. VacuBox)
- 5 I-300 Pro, with valve unit (incl. VacuBox)

#### Voltage

- 1 220 – 240 V
- 2 100 – 120 V

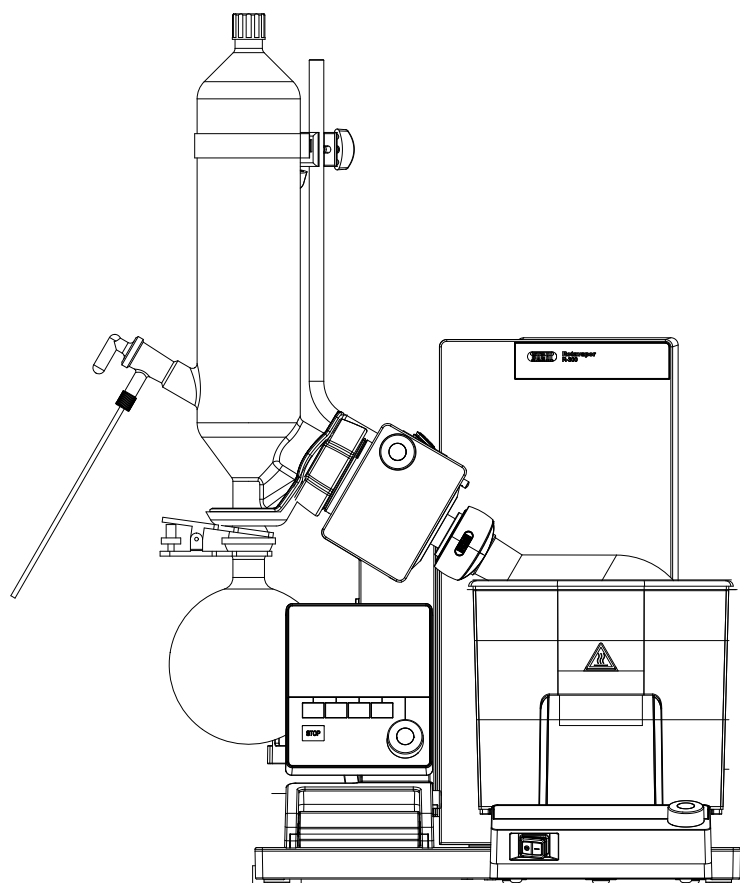
<sup>1)</sup> If glass assembly E, CR or BY is required, for **Glass Assembly** select “N”, for **Standard Joint** select either “1” or “2” and for **Protective Coating** select “0” (vapor duct and evaporating flask are included). Glass assembly E, CR or BY need to be ordered separately.

<sup>2)</sup> “Safety coating (P+G)” applies to condenser and receiving flask

## Scope of delivery of Rotavapor® R-300

All configurations are delivered ready to use and are complete of:

Components	Rotavapor® R-300
Rotavapor® R-300 / R-300 Hand Lift**	1
Heating Bath B-301 / B-305**	*
Glass assembly**	*
Vapor duct (with Combi-Clip)	**
Vacuum seal (WD26)	1
Evaporating flask (1 liter)	**
Receiving flask (1 liter)	**
Flyer "List of solvents"	1
Set of required cooling tubings	**
Power cable (1 for heating bath, 1 for Rotavapor®)	**
Interface I-300 / I-300 Pro**	*
VacuBox	*
Communications cable. BUCHI COM 6 p	*



## System “Rotavapor® Dynamic”

The rotary evaporator R-300 system meets the highest expectations in convenience and versatility. It is bundled with the Vacuum Pump V-300, controlled by the Interface I-300 / I-300 Pro and can include the Recirculating Chiller F-305 / F-308. The interface is the central control unit for all process parameters. Rotation speed, heating-, cooling-, vapor-temperature and pressure are perfectly synchronized to optimize the distillation process while increasing efficiency and convenience. All the “Rotavapor® Dynamic” systems are P+G coated. All accessories and connections are included for out of the box usage.

Choose the configuration according to your needs:



### Lift System

- 1 Manual lift
- 2 Electronic

### Heating Bath

- 1 B-301: 20 – 95 °C (water),  
max. flask size: 1 L
- 5 B-305: 20 – 220 °C, max. flask size: 5 L

### Standard Joint

- 1 SJ 29/32 (incl. evaporating flask, vapor duct)
- 2 SJ 24/40 (incl. evaporating flask, vapor duct)

### Glass Assembly

- V Vertical (condenser and receiving flask are P+G coated)
- C Cold trap (condenser and receiving flask are P+G-LT coated) <sup>3)</sup>

### Interface

- S I-300, with Woulff bottle (incl. VacuBox)
- P I-300 Pro, with Woulff bottle (incl. VacuBox)

### Recirculating Chiller

- 0 Without
- 1 F-305: cooling capacity 550 W at 15 °C (-10 – 25 °C)
- 2 F-308: cooling capacity 900 W at 15 °C (-10 – 25 °C)

### Voltage

- 1 220 – 240 V
- 2 100 – 120 V

<sup>3)</sup> When ordering the glass assembly C, a recirculating chiller is not needed

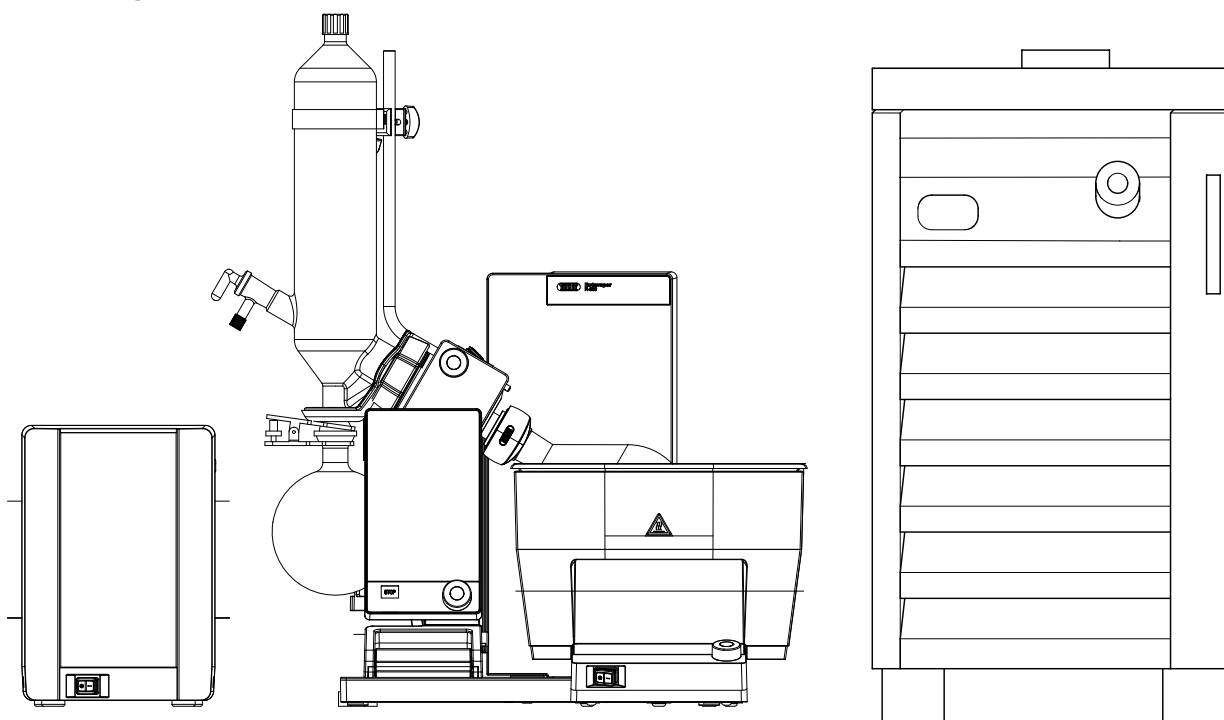
## Scope of delivery of “System Rotavapor® Dynamic”

All configurations are delivered ready to use and are complete of:

Components	“System Rotavapor® Dynamic”
Rotavapor® R-300 / R-300 Hand Lift**	1
Heating Bath B-301 / B-305**	1
Glass assembly	1
Vapor duct (with Combi-Clip)	1
Vacuum seal (WD26)	1
Evaporating flask (1 liter)	1
Receiving flask (1 liter)	1
Flyer “List of solvents”	1
Set of required cooling and vacuum tubings	1
Set of required power cables	1
Interface I-300 / I-300 Pro**	1
VacuBox	1
Communication cable. BUCHI COM 6p	*
Vacuum Pump V-300	1
Recirculating Chiller F-305 / F-308**	*
Communication cables are included	*

\* optional, according to order code

\*\* according to order code



## Technical data

### Rotavapor® R-300

Dimension (WxHxD)	
Instrument	400 x 615 x 320 mm
Shipping box	700 x 605 x 590 mm
Weight	13.5 kg (electronic lift) 13.0 kg (manual lift)
Connection voltage	100 – 240 VAC
Power consumption	100 W
Frequency	50/60 Hz
Protection class	IP21
Immersion angle adjustable	40 °
Stroke distance	220 mm
End stop position adjustment range	170 mm (electronic lift) 100 mm (manual lift)
Rotation speed	10 – 280 rpm
Maximum flask load	3 kg
Approvals	CE / CSA

### Heating Bath B-300 Base

Dimension (WxHxD)	183 x 82 x 286 mm
Weight	0.8 kg
Connection voltage	100 – 120 V / 220 – 240
Frequency	50 – 60 Hz
Power consumption (with bath)	1500 W
Protection class	IP21
Approvals	CE / CSA

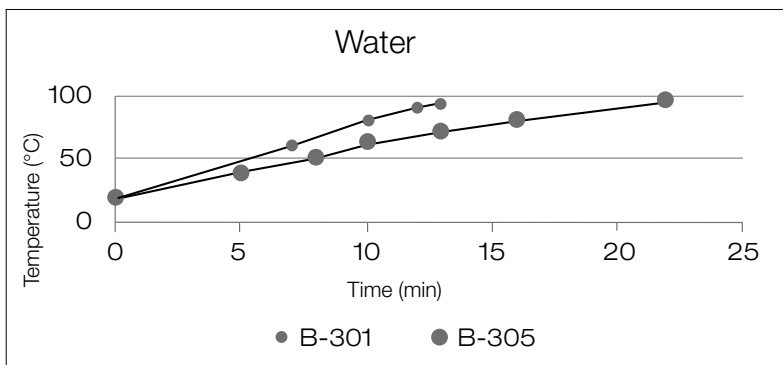
	Heating Bath B-301 Bath	Heating Bath B-305 Bath
Dimension (WxHxD)	218 x 192 x 205 mm	307 x 202 x 275 mm
Weight	2.0 kg	4.2 kg
Operation voltage (according to order code)	100 – 120 V 220 – 240 V	100 – 120 V 220 – 240 V
Frequency	50 – 60 Hz	50 – 60 Hz

	Heating Bath B-301 Bath	Heating Bath B-305 Bath
Power consumption	1250 W	1500 W
Heating Power	1100 W	1300 W
Protection class	IP21	IP21
Controlled temperature range	ambient to 95 °C	ambient to 220 °C
Maximum flask size	1000 mL	5000 mL
Maximum filling capacity	2.3 L	5.5 L
Adjustment accuracy	± 1 °C	± 1 °C
Temperature deviation	at 60 °C ± 1 °C at 95 °C ± 1 °C	at 60 °C ± 1 °C at 95 °C ± 1 °C at 180 °C ± 3 °C at 220 °C ± 4 °C
Heating media	water	water / oil
Approvals	CE / CSA	CE / CSA

## Heating bath performance

Heating-up time of Heating Bath B-301 and B-305

	Water		Oil (Ucon HTF 14)	
	50 °C	95 °C	180 °C	220 °C
B-301	4 min	13 min		
B-305	8 min	22 min	27 min	37 min



$\Delta T_{70\text{ }^{\circ}\text{C (water)}}$ : B-301 -> 13 min; B-305 -> 22 min



## Special features

### Rotavapor® R-300

End stop positioner	Adjustable via button within a range of 170 mm (electronic) / 100 mm (manual) Prevents glass breakage and damages to heating bath pan
Patented multifunctional Combi-Clip	Tool for evaporating flask fixation and removal, as well as vapor duct release Allows one handed flask removal
Immersion angle adjustable	Adjustable within 7-stages enables the use of different flask sizes, adjustable for individual application
Safety stop (electronic lift only)	Automatic operation stop by power failure Lifts flask automatically out of heating bath
2 lift speeds	Moves quickly until 2 cm above close to depth stop, it then moves slowly to depth stop Allows a smooth operation
Earthquake safety	Lug on backside for bath and Rotavapor® Enables fixation on lab bench
Lift height indication	Position is digitally indicated on display of heating bath Allows reproducibility of parameter for future applications
Color code	Green cables indicate BUCHI communication cable, marked with "COM" Allows a simple understanding of set up and easy play & plug
Large top hole V-condenser	Top hole with screw cap (SVL22) Allows easy cleaning of condenser
Ergonomic handle	Electronic and manual version available Allows to conveniently change the position of lift
Display	Rotation speed, heating temperature, lift position (set and actual value) displayed on Heating Bath B-300 Base Allows user to monitor all parameters at a glance

### Heating Bath B-301 / B-305

Universal use (B-305 only)	Useable for multiple applications up to 220 °C Allows the use of water and oil as a heating media
Overheat protection	Mechanical and electronic over-temperature control Cuts off power when actual exceeds set temperature and by rapid temperature increase
Carry handles	Two integrated laterally ergonomically designed carry handles Allows easy carrying for re-filling or emptying the heating bath, without the risk of burn
Bath guidance	Integrated in Heating Bath B-300 Base Allows an easy positioning of bath along horizontal axe, for individual application

## Heating Bath B-301 / B-305

Temperature limit fixation (B-305 only)	Desired maximum temperature can be fixed at 95 °C, 180 °C or 220 °C Prevents accidental change of set temperature when water is used as heating media
Key-button locking functions	To lock the set temperature of the heating bath Prevents accidental change of set conditions during process
Infrared communication	Transition of heating bath data to interface Allows immaculate, fast communication
Kettle connection	Cordless bath Allows easy emptying and refilling of bath without unplugging
Heating Bath B-300 Base extendable	Functional with two different heating baths Allows the use of B-301 or B-305, adequate to application
LCD-display	Digital, displays all operating parameters Indicates set and actual values of heating bath temperature, rotation speed and lift position

## Optional accessories

Protection shield	Special shaped, robust shield for user protection enables handling on evaporating flask while being protected
Top cover for heating bath	To cover B-305 when not in use to save energy and for less evaporation of heating medium, no drip off, convenient handle prevents burning skin

## Compatibility and communication requirements with R-300

Interface / Vacuum Controller	Compatibility	Communication requirements
I-300 / I-300 Pro	compatible	VacuBox and 2x Communication cable. BUCHI COM 6p (11058705 (0.3 m), 11058707 (1.8 m), 11058708 (5 m), 11064090 (15 m))
I-100	—	—
V-850 / V-855	—	—
V-800 / V-805	—	—

## Explanation of terms

compatible	Rotavapor® and vacuum controller/interface communicate with each other.
—	Connection not possible

A VacuBox is included when ordering Rotavapor® R-300 with an Interface I-300 or Interface I-300 Pro compatibility pack. Additional features for Rotavapor® R-300 are listed as follows.

## Feature comparison

Features in combination with R-300	I-300 Pro	I-300	I-100	Old vacuum controllers (V-850 / V-855, V-800 / V-805)
Live data charting	●			
Digitally controlled lift position	●			
Data recording	●			
Guided operation (methods)	●			
Automatic ON/OFF rotation speed	●	●		
Automatic and manual up/down lift	●	●		
Display and setting rotation speed	●	●		
Display and setting bath temperature	●	●		
Dynamic distillation (only when connected with Vacuum Pump and Recirculating Chiller)	●	●		
Remote monitoring with Rotavapor App	●	●		
ECO mode (shuts down Recirculating Chiller and Heating Bath)	●	●		
Automatic foam detection	●	●		
Management from a distance	●	●		

## Exemplary solutions

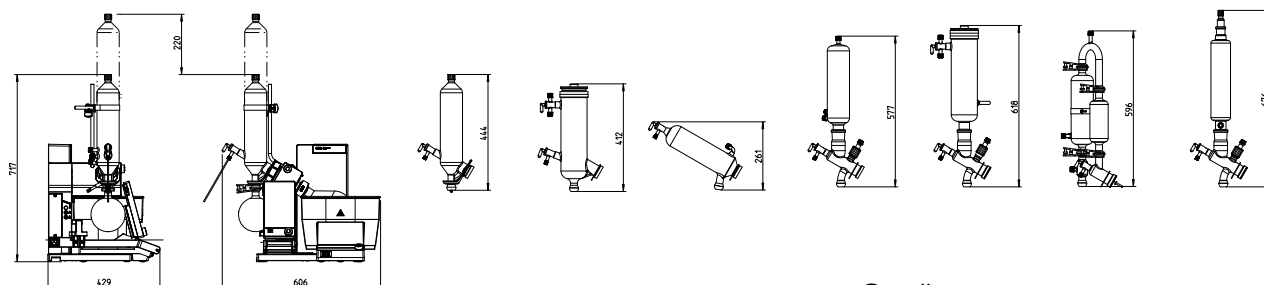
The following items are listed on two solutions, shown in the “Laboratory Rotary Evaporation Solutions” brochure.

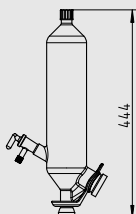
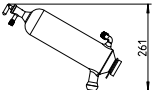
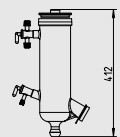
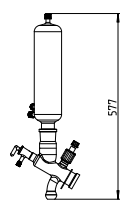
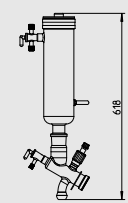
Solution “Rotavapor® Dynamic Pro”	Order number
Rotavapor® R-300, condenser V, SJ 29/32, P+G safety coating, Heating Bath B-305, Interface I-300 Pro, VacuBox, Vacuum Pump V-300, Recirculating Chiller F-308 (220 – 240 V version)	11SR300251VP21
Foam sensor	11061167
AutoDest sensor	11059225
Level sensor	11060954
Solution “Rotavapor® Dynamic”	Order number
Rotavapor® R-300, condenser V, SJ 29/32, P+G safety coating, Heating Bath B-301, Interface I-300, VacuBox, Vacuum Pump V-300 (220 – 240 V version)	11SR300211VS01
Protection shield	11061402

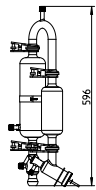
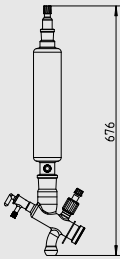
## Accessories – Rotavapor® glass assemblies

The following items have to be purchased in addition to a system that is ordered without glass.

All glass assemblies include a 1 liter receiving flask (corresponding to order code - either without coating, with P+G or P+G-LT), required hoses and a ball joint clamp. Evaporating flask, vacuum seal, vapor duct (WD26) and condenser holder are not included. All condensers allow feeding of the evaporating flask via stopcock.

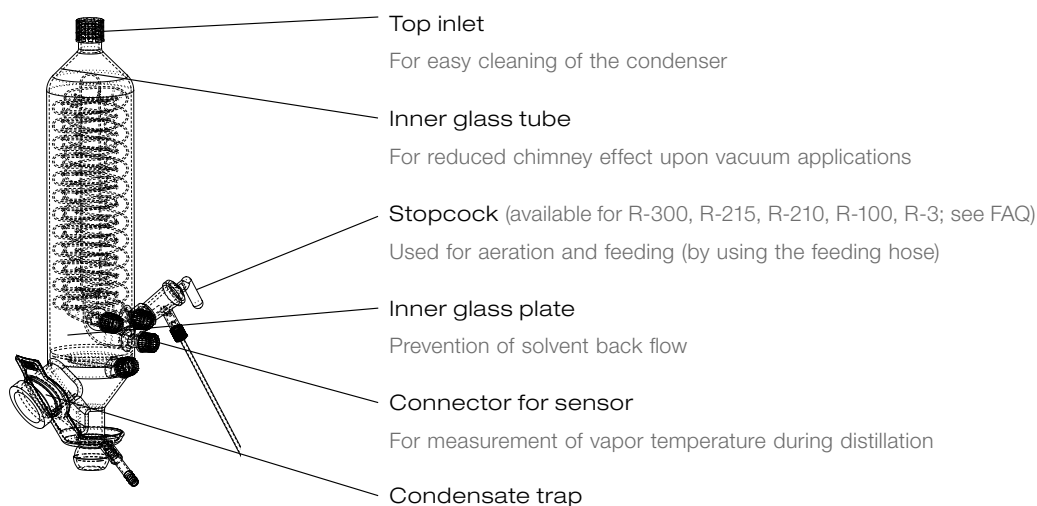


Abbr./ Name	Type / Application	Cooling surface area (max.)	Order code
Vertical: V	Vertical condenser	1500 cm <sup>2</sup>	11062432 11062433 P+G
	<ul style="list-style-type: none"> <li>· For standard applications, the most common condenser</li> <li>· Connection for vapor temperature sensor</li> <li>· Automatic distillation with Interface I-300 / I-300 Pro possible</li> <li>· Use of foam sensor possible</li> </ul>		
Diagonal: A	Diagonal condenser	1500 cm <sup>2</sup>	048168 048169 P+G
	<ul style="list-style-type: none"> <li>· For standard applications where height is limited</li> </ul>		
Cold trap: C	Dry ice condenser	500 cm <sup>2</sup>	040640 040642 P+G
	<ul style="list-style-type: none"> <li>· For distillation of solvents with low boiling points</li> <li>· Maximum condensation of vapors</li> <li>· No cooling water needed, but i.e. dry ice or ice</li> <li>· Use of foam sensor possible</li> </ul>		
Reflux: S	Vertical reflux condenser with shut-off valve	1500 cm <sup>2</sup>	048290 048291 P+G-LT
	<ul style="list-style-type: none"> <li>· For combining reflux reaction and distillation</li> <li>· Connection for vapor temperature sensor</li> <li>· Automatic distillation with Interface I-300 / I-300 Pro possible</li> <li>· Use of foam sensor possible</li> </ul>		
Cold trap reflux: CR	Dry ice condenser with shut-off valve	500 cm <sup>2</sup>	048292 048293 P+G-LT
	<ul style="list-style-type: none"> <li>· For combining reflux reaction and distillation</li> <li>· For distillation of solvents with low boiling points</li> <li>· Maximum condensation of vapors</li> <li>· Connection for vapor temperature sensor</li> <li>· No cooling water needed, but i.e. dry ice or ice</li> <li>· Use of foam sensor possible</li> </ul>		

Abbr./ Name	Type / Application	Cooling surface area (max.)	Order code
Expansion: E 	Descending condenser with expansion vessel <ul style="list-style-type: none"> <li>· Ideal for distillations exhibiting foaming and “bumping” tendencies/products</li> <li>· Connection for vapor temperature sensor</li> <li>· Automatic distillation with Interface I-300 / I-300 Pro possible</li> </ul>	1500 cm <sup>2</sup>	11061112 11061113 P+G
Double jacket: BY 	Vertical reflux condenser with double jacket for intensive condensation and with shut-off valve <ul style="list-style-type: none"> <li>· Vertical intensive condenser with double jacket and distributor for particularly efficient condensation</li> <li>· For combining reflux reaction and distillation</li> <li>· For particularly efficient and intensive condensation</li> <li>· Connection for vapor temperature sensor</li> <li>· With an additional SJ 29/32 joint on top for flexible expansion</li> <li>· Use of foam sensor possible</li> </ul>	1300 cm <sup>2</sup>	048176 048297 P+G

For more information concerning the glass assemblies please check the “Laboratory Evaporation Glassware” brochure.

## Features of the glass assemblies



Characteristics	V	C	A	CR	S	E	BY
Top inlet	● (SVL22; extra large)		●		●	●	●
Inner glass tube	●				●		
Flask feeding via stop-cock possible	●	●	●	●	●	●	●
Inner glass plate	●						
Connector for vapor temperature sensor	●				●	●	●
Condenser holder	○ <sup>1</sup>	○ <sup>1</sup>	○ <sup>1</sup>	○ <sup>1</sup>	○ <sup>1</sup>	●	○ <sup>1</sup>
Reflux possibility (part included)				●	●		●
Condensate trap	●						

○ is optional ● is included <sup>1</sup>Condenser holder cpl. (048180) is recommended

## Rotavapor® accessories

	Order number
Adapter B-300. For Heating Bath B-305 Required when Heating Bath B-305 is used with a Rotavapor® R-210, R-215 or R II. Not compatible with Heating Bath B-301.	11061317
AutoDest sensor. Incl. cap nut, seal GL14 For automatic distillation. Measures temperature of cooling media and the vapor temperature. Vacuum is adjusted according to cooling capacity of condenser. Meant to be used with the Interface I-300/I-300 Pro and glass assembly V or S.	11059225
Combi-Clip, set. 50 pcs, not incl. vapor duct Patented Combi-Clip with snap lock mechanism to fasten evaporating flask on vapor duct.	11063308
Condensate trap. Green, TPE, for condenser V, hose connector Ø8 mm Collects and drains condensate which may accumulate at the condenser.	11061985
Condensate trap. Grey, TPE, for condenser V, hose connector Ø8 mm Collects and drains condensate which may accumulate at the condenser.	11062955
Condenser holder. For glass assembly V/C/S/CR/BY Content: Holding rod, rubber band, cross sleeve.	048180
Cooling water valve. 24VAC Valve opens cooling water feed during distillation. Meant to be used with a vacuum controller/interface.	031356
Extraction thimbles, set. 25 pcs, 200 mL, cellulose For Soxhlet extraction unit.	018106
Extraction unit Soxhlet. 200 mL, incl. extraction part, reduction part For Soxhlet extraction applications. Meant to be used with glass assembly S.	011744
Extraction unit Soxhlet. 500 mL, incl. extraction part, reduction part For Soxhlet extraction applications. Meant to be used with glass assembly S.	011745
Flask holder. EPDM, slip free Holder for round-bottom flasks (50-5000 mL).	048618

Flask holders, set. EPDM, slip free Holder for round-bottom flasks (50-5000 mL).	11059916
Foam sensor. Incl. holder Prevents sample from foaming into the condenser by aeration of system temporarily. Meant to be used with the Interface I-300 / I-300 Pro.	11061167
Heating bath balls. 450pcs, PP, Ø10 mm To reduce energy consumption of heating bath and for less evaporation of the heating medium. For temperatures up to 100°C.	036405
Holder. For extraction unit, steel, 750 mm, Ø12 mm	011904
Insulation tubing. Synthetic rubber, Ø10/23 mm, black, 1 m For insulation of cooling media. Meant to be used with silicone tubing (004134).	028696
IQ/OQ. R-300 en Official BUCHI documents.	11063608
Lab grease. Glisseal 40 (60 g) To grease joints in order to increase tightness of system.	048197
Level sensor. Incl. O-ring, cable, rubber band Prevents an overflow in the receiving flask of condenser/secondary condenser. Placed on receiving flask. Meant to be used with the Interface I-300 / I-300 Pro.	11060954
Lid. For Heating Bath B-305 To save energy and to minimize loss of water when heating bath is not in use.	11059500
Manometer with needle valve. Incl. vacuum gauge, not incl. holder	047391
Protection shield. Operator protection for heating bath For Heating Bath B-301 and B-305.	11061402
Repeating OQ. R-300 en Official BUCHI documents.	11063609
Set earthquake fastener. Lug for backside To fasten device on lab bench.	11062386
Stopcock. For condenser C/CR, glass, SJ18.8/38 For aeration of system. Mounted on vacuum connection at cold trap outer part.	040628
Stopcock. Professional, glass, SJ18.8/38 For aeration of system. Less cross-contamination compared to standard-stopcock (040627).	000637
Stopcock. PTFE, incl. 3-way valve For feeding for solvents. For applications when grease should be avoided. Used instead of standard-stopcock (040627). Content: Inlet tubing 300mm, backfeed tubing 600mm, cap nut GL10.	11058814
Stopcock. PTFE, SJ18.8/38 For aeration of system. For applications when grease should be avoided. Used instead of standard-stopcock (040627).	023896
Stopcock. Standard, glass, SJ18.8/38 For aeration of the system.	040627
Thread adapter. For vacuum connection, SVL22/GL14 Use: To switch vacuum connection from a Rotavapor® to Syncore® vacuum distributor (037686).	040871
Tubing. FEP, Ø6/8 mm, transparent, per m Use: Vacuum, cooling media.	027900

Tubing. Natural rubber, Ø6/16 mm, red, per m Use: Vacuum.	017622
Tubing. Nylflex, PVC-P, Ø8/14 mm, transparent, per m Use: Vacuum, cooling media, feeding (industrial Rotavapor®).	004113
Tubing. PTFE, Ø4.7/5.5 mm, transparent, 330 mm Use: To introduce solvent into evaporating flask during distillation.	000646
Tubing. PTFE, Ø4.7/5.5 mm, transparent, 460 mm Use: To introduce solvent into evaporating flask during distillation.	000643
Tubing. PTFE, Ø8/10 mm, white, per m Use: Vacuum, feeding (industrial Rotavapor®).	027277
Tubing. Silicone, Ø6/9 mm, transparent, per m Use: Cooling media.	004133
Tubing. Synthetic rubber, Ø6/13 mm, black, per m Use: Vacuum.	11063244
Vacuum connection. Incl. drain valve, hose barb Ø8mm, BJ35/20 Connection piece for aeration of the system, placed between condenser and receiving flask.	001006
Vacuum valve. Magnetic valve, 24V/4W, Mini-DIN, 1.5 m Flow valve without flask, meant to be used with a centralized vacuum source or an unregulated vacuum pump. Meant to be used with the Interface I-300 / I-300 Pro.	11060706
Vapor temperature sensor. Incl. cap nut, seal GL14 Measures the vapor temperature inside the system. Meant to be used with the Interface I-300 / I-300 Pro.	11060707
Water jet pump. Plastic Used when tap water is used to generate vacuum.	002913
Water regulation nozzle. Flow regulator, incl. hose clamp, sieve Used when tap water is used to generate vacuum. Reduces water consumption.	011606
Woulff bottle. 125 mL, P+G, incl. holder For trapping particles and droplets and for pressure equalization.	11059905
Woulff bottle. 3-neck, 800 mL, P+G. For trapping particles and droplets and for pressure equalization.	025519

## Rotavapor® accessories – Heating Baths

	Order number
Heating bath. Heating Bath B-301, not incl. Base B-300, 110V For up to 1 Liter evaporating flasks. For temperatures up to 95 °C. Meant to be used with water as heating media.	11B301002
Heating bath. Heating Bath B-301, not incl. Base B-300, 230V For up to 1 Liter evaporating flasks. For temperatures up to 95 °C. Meant to be used with water as heating media.	11B301001
Heating bath. Heating Bath B-301, incl. Base B-300, 110V For up to 1 Liter evaporating flasks. For temperatures up to 95 °C. Meant to be used with water as heating media.	11B301102
Heating bath. Heating Bath B-301, incl. Base B-300, 230V For up to 1 Liter evaporating flasks. For temperatures up to 95 °C. Meant to be used with water as heating media.	11B301101



	Order number
Heating bath. Heating Bath B-305, not incl. Base B-300, 110V For up to 5 Liter evaporating flasks. For temperatures up to 220 °C. Meant to be used with water or oil as heating media.	11B305002
Heating bath. Heating Bath B-305, not incl. Base B-300, 230V For up to 5 Liter evaporating flasks. For temperatures up to 220 °C. Meant to be used with water or oil as heating media.	11B305001
Heating bath. Heating Bath B-305, incl. Base B-300, 110V For up to 5 Liter evaporating flasks. For temperatures up to 220 °C. Meant to be used with water or oil as heating media.	11B305102
Heating bath. Heating Bath B-305, incl. Base B-300, 230V For up to 5 Liter evaporating flasks. For temperatures up to 220 °C. Meant to be used with water or oil as heating media.	11B305101
Heating bath. Heating Bath B-305, for R-21x, incl. Base, 230V For up to 5 Liter evaporating flasks. For temperatures up to 220 °C. Meant to be used with water or oil as heating media. Included: Adapter to Rotavapor R-21x	11B305111
Heating bath. Heating Bath B-305, for R-21x, incl. Base, 110V For up to 5 Liter evaporating flasks. For temperatures up to 220 °C. Meant to be used with water or oil as heating media. Included: Adapter to Rotavapor R-21x	11B305112

## Rotavapor® wear parts

	Order number
Cap nut. Screw cap with hole GL10	023875
Cap nuts, set. 10 pcs, screw cap with hole, GL14	041956
Cap nuts, set. 10 pcs, screw cap with hole GL14, seal EPDM Content: Hose barbs, cap nuts, seals.	041999
Hose barb. Bent, GL14, incl. silicone seal	018916
Hose barbs, set. 2 pcs, bent (1), straight (1), GL14, silicone seal Content: Hose barbs, cap nuts, seals.	041939
Hose barbs, set. 3 pcs, bent, GL14, silicone seal Content: Hose barbs, seals.	041987
Hose barbs, set. 4 pcs, bent GL14, silicone seal Content: Hose barbs, cap nuts, seals.	037287
Hose barbs, set. 4 pcs, bent, GL14, EPDM seal Content: Hose barbs, cap nuts, seals.	043129
Hose barbs, set. 4 pcs, bent, GL14, FEP seal Content: Hose barbs, cap nuts, seals.	040295
Hose barbs, set. 4 pcs, straight, GL14, EPDM seal Content: Hose barbs, cap nuts, seals.	043128
Hose barbs, set. 4 pcs, straight, GL14, FPM seal Content: Hose barbs, cap nuts, seals.	040296
Hose barbs, set. 4 pcs, straight, GL14, silicone seal Content: Hose barbs, cap nuts, seals.	037642

## Order number

Hose barbs, set. 6 pcs, bent (4), straight (2), GL14, silicone seal Content: Hose barbs, cap nuts, seals.	038000
O-ring. FKM, 40.9/2.6 mm, for reflux insert	048078
O-ring. FPM, for cap nut GL10, Ø 3.00/2.70 mm	023900
Screw caps, set. 5 pcs, GL14	040624
Seal. For cap nut GL14 to FEP, EPDM	038225
Seals, set. 10 pcs, for hose barbs GL14, EPDM, black	040029
Seals, set. 10 pcs, for hose barbs GL14, FPM, green	040040
Seals, set. 20 pcs, for hose barbs GL14, silicone, red	040023
Set screwings. Hose barbs and seals GL14 Content: Hose barbs bent 4pcs, hose barbs straight 1pc, cap nuts 4pcs, screw caps 2pcs, seals EPDM 3pcs.	11061921
Vacuum gasket. WD26, PTFE, FDA-compliant	048021

## Rotavapor® glass accessories – Vapor ducts

Vapor ducts compatible with WD26 (incl. Combi-Clip)

SJ	29/32	24/40	29/42	24/29	34/35
For glass assembly V, C, S, E, CR, BY	11062186	11062187	11062464	11062909	
For glass assembly A	11062267	11062268	11062269		048167
For glass assembly C, V (analytical)	11062465	11062466	11062467		
For glass assembly C and V (KD22)	11062910				
For glass assembly V, C, S, E, CR, BY With frit (P3) for powder drying	11057297				
For high temperatures 29/32, short cpl. Content: Combi clip, vapor duct HT, ring NS 34/32 on 30/32	11061837				

## Additional glassware

Additional glassware like evaporating flasks, drying flasks, receiving flasks, beaker flasks, Reitmeyer adapters (bump traps) and distillation spiders can be found in the Laboratory Evaporation Glassware brochure.

